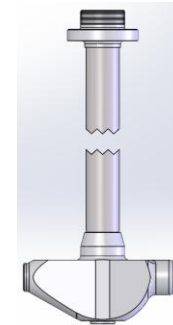
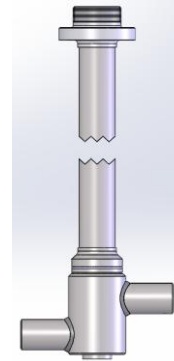
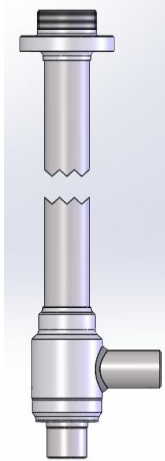


# Body patterns for standard cryogenic valves



✓  
Certified according  
**ISO 9001**

✓  
Certified according  
**PED**

✓  
Certified according  
**ATEX/IECE<sub>x</sub>**

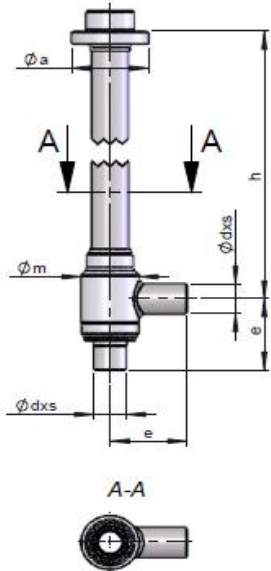


## Datasheet

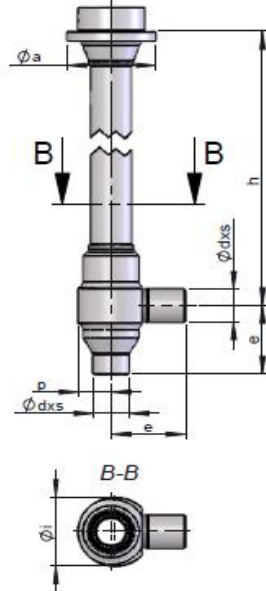
911003  
Rev. 1  
02.04.2026

Type	DN	DN2	DN4	DN6	DN8	DN10	DN15	DN20	DN25	DN32	DN40	DN50	DN65	DN80	DN100	DN125	DN150
Type	ødxs	13.0x1.5	13.0x1.5	13.0x1.5	13.0x1.5	17.2x1.6	21.3x2.0	26.9x2.0	33.7x2.0	42.4x2.0	48.3x2.0	60.3x2.0	76.1x2.0	88.9x2.6	114.3x2.6	139.7x2.6	168.3x2.6
	h	650	650	650	650	650	650	650	650	875	875	875	875	875	1000	1000	1000
	øa	60	60	60	60	60	60	80	80	80	120	120	150	190	230	275	325
E	e	38	38	38	40	40	50	70	80	80	100	100	125	155	175	200	250
	øm	25	25	25	27	32	38	50	60	67	-	89	119	140	173	206	248
	øi	-	-	-	-	-	-	-	-	-	100	-	-	-	-	-	-
	p	-	-	-	-	-	-	-	-	-	45	-	-	-	-	-	-
G	g	26	26	26	30	34	40	on request		not available							
	b	35	35	35	40	55	65										
	u	19	19	19	20	32	40										
D	n	on request						80	90	110	130	150	190	225	275	-	-
	r	on request						25	28	35	37	40	49	56	75	-	-
	t	on request						33	39	50	65	65	85	100	130	-	-
	øo	on request						50	59	67	89	99	129	150	170	-	-
Z	q	on request						-	80	-	100	-	-	155	175	200	250
	f	on request						-	40	-	65	-	-	100	150	210	300
	k	on request						-	27	-	37	-	-	56	75	85	100
	øv	on request						-	60	-	89	-	-	140	173	206	248

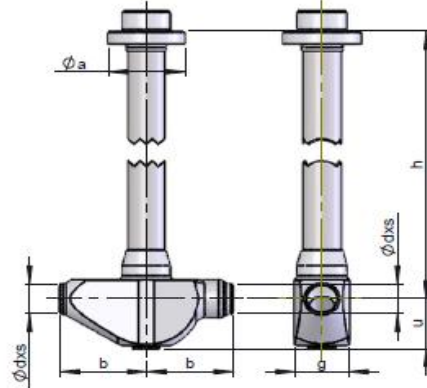
Type E, Type 1  
Angle pattern



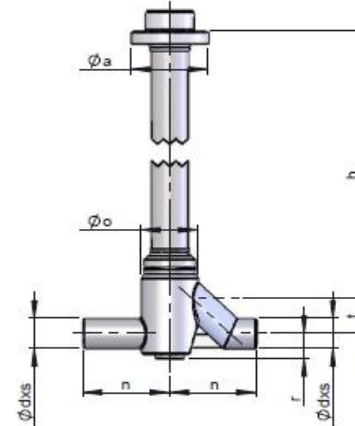
Type E, Type 2 (DN40)  
Angle pattern



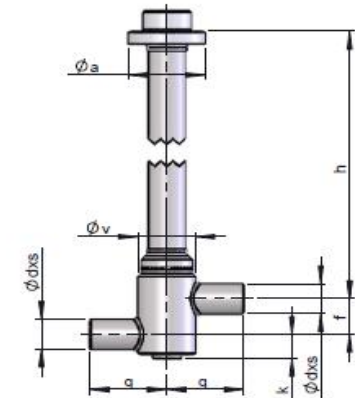
Type G  
Globe pattern



Type D  
Straight pattern



Type Z  
Z-pattern



Type	DN	DN2	DN4	DN6	DN8	DN10	DN15	DN20	DN25	DN32	DN40	DN50	DN65	DN80	DN100	DN125	DN150
	ødxs	13.0x1.5	13.0x1.5	13.0x1.5	13.0x1.5	17.2x1.6	21.3x2.0	26.9x2.0	33.7x2.0	42.4x2.0	48.3x2.0	60.3x2.0	76.1x2.0	88.9x2.6	114.3x2.6	139.7x2.6	168.3x2.6
E	e	38	38	38	40	40	50	70	80	80	100	100	125	155	175	200	250
	øm	25	25	25	27	32	38	50	60	67	-	89	119	140	173	206	248
	øi	-	-	-	-	-	-	-	-	-	100	-	-	-	-	-	-
	p	-	-	-	-	-	-	-	-	-	45	-	-	-	-	-	-
G	g	26	26	26	30	34	40	on request		not available							
	b	35	35	35	40	55	65										
	u	19	19	19	20	32	40										
D	n	on request						80	90	110	130	150	190	225	275	-	-
	r							25	28	35	37	40	49	56	75	-	-
	t							33	39	50	65	65	85	100	130	-	-
	øo							50	59	67	89	99	129	150	170	-	-
Z	q	on request						-	80	-	100	-	-	155	175	200	250
	f							-	40	-	65	-	-	100	150	210	300
	k							-	27	-	37	-	-	56	75	85	100
	øv							-	60	-	89	-	-	140	173	206	248

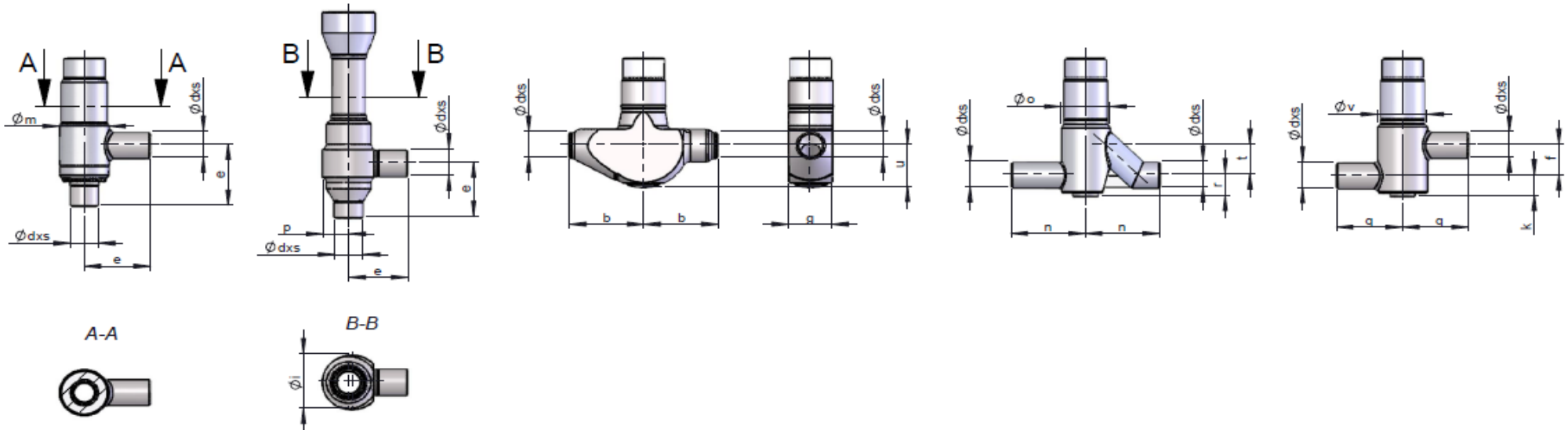
Type E, Type 1  
Angle pattern

Type E, Type 2 (DN40)  
Angle pattern

Type G  
Globe pattern

Type D  
Straight pattern

Type Z  
Z-pattern





Valve	Extension to	DN2..8 13.0x1.5	DN10 17.2x1.6	DN15 21.3x2.0	DN20 26.9x2.0	DN25 33.7x2.0	DN32 42.4x2.0	DN40 48.3x2.0	DN50 60.3x2.0	DN65 76.1x2.0	DN80 88.9x2.6	DN100 114.3x2.6	DN125 139.7x2.6	DN150 168.3x2.6	DN200 219.1x2.9	DN250 273.0x3.0
DN2..8	13.0x1.5		30	30												
DN10	17.2x1.6	30		30	30											
DN15	21.3x2.0	30	30		30	30										
DN20	26.9x2.0		30	30		40	40	40								
DN25	33.7x2.0			30	40		50	50	50							
DN32	42.4x2.0				40	50		50	50	50						
DN40	48.3x2.0				40	50	50		60	60	60					
DN50	60.3x2.0					50	50	60		70	70	70				
DN65	76.1x2.0						50	60	70		70	70	70			
DN80	88.9x2.6							60	70	70		80	80	80		
DN100	114.3x2.6								70	70	80		100	100	100	
DN125	139.7x2.6									70	80	100		120	120	120
DN150	168.3x2.6										80	100	120		120	120

The values in the table correspond to the reduction lengths L in[mm]

