

Standard bellow sealed cryogenic and ambient valves PN25 with pneumatic or manual actuator

✓
Certified according
ISO 9001

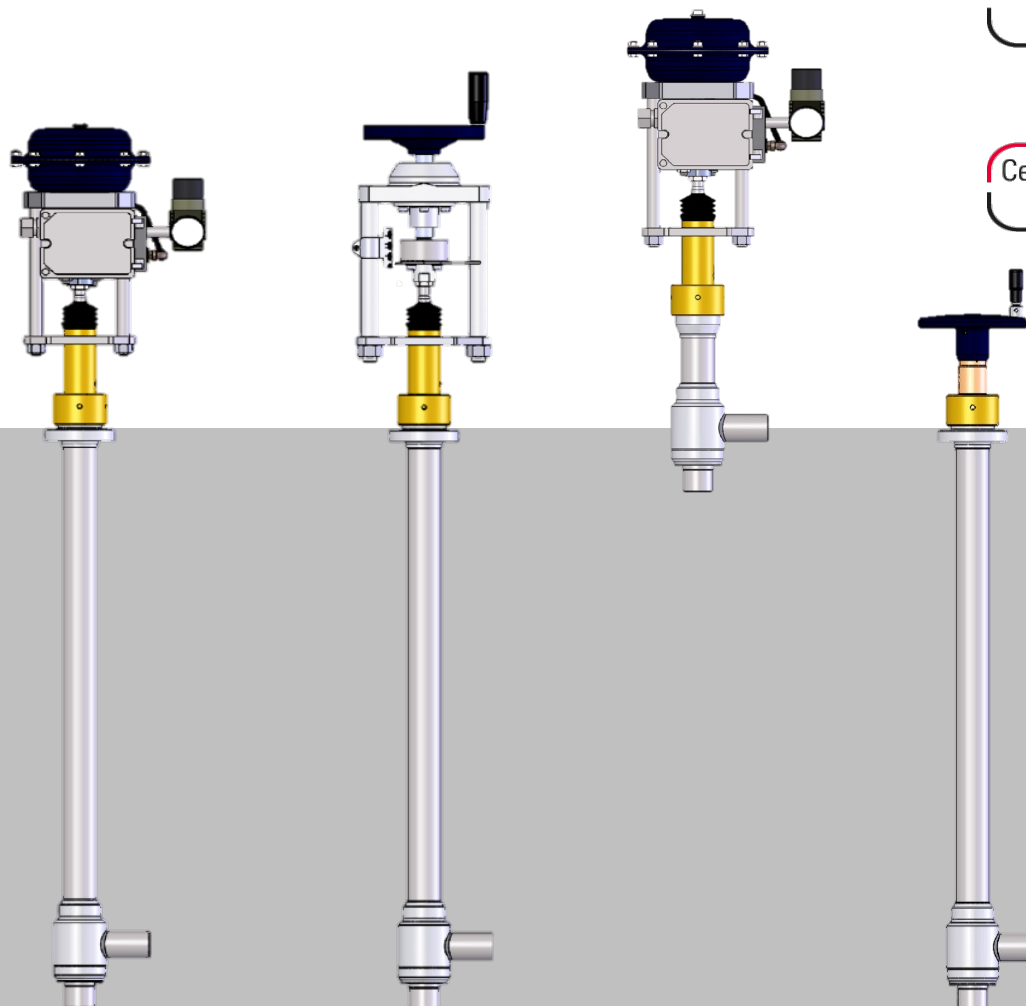
✓
Certified according
PED

✓
Certified according
ATEX/IECEX



Datasheet

WEKA_930219
Rev.
13.04.2026





WEKA AG · Switzerland

Schürlistrasse 8 · CH-8344 Bäretswil · Phone +41 43 833 43 43 · info@weka-ag.ch · www.weka-ag.ch

WEKA datasheet 930219

Index

Description	Type	Page	Type	Page
Introduction		3		
DN2	TxV	4	WxV	23
DN4	TxV	5	WxV	24
DN6	TxV	6	WxV	25
DN8	TxV	7	WxV	26
DN10	TxV	8	WxV	27
DN15	TxV	9	WxV	28
DN15-10	TxV	10		
DN15-6	TxV	11		
DN20	TxV	12	WxV	29
DN25	TxV	13	WxV	30
DN25-15	TxV	14		
DN32	TxV	15	WxV	31
DN40	TxV	16	WxV	32
DN50	TxV	17	WxV	33
DN65	TxV	18	WxV	34
DN80	TxV	19	WxV	35
DN100	TxV	20	WxV	36
DN125	TxV	21	WxV	37
DN150	TxV	22	WxV	38

WEKA datasheet 930219

Introduction

General description

The datasheet describes the mechanical dimensions and physical properties like flow capacity, heat input or temperature ranges of cryogenic and warm valves. They have a top mounting design with metallic bellow seal, typically used for Helium and Hydrogen applications in vacuum isolated vessels. The valves can be executed as shut-off valve with manual or pneumatic membrane actuator or control valve with pneumatic membrane actuator in combination with a Samson or Siemens positioner.

Please consider the following abbreviations:

PM - Valves with pneumatic actuator, pneumatic actuators can be configured in Po (normal closed) or PS (normal open).

HL - Valves with handwheel

Hlc - Valves with a compact handwheel

Different manual actuators are available according to datasheet 921029.

For different valve body patterns see datasheet 911003.

External loads that are allowed on the components are defined in datasheet 20100223.

Design pressure:

The typical design pressure for cryogenic valves is 25 bar. The data in this datasheet are valid for a PN25 valve with an angle pattern housing (type E). Higher nominal pressures (e. g. PN40 up to DN80) are available on specific customer request.

Design temperature:

TxV - Cryogenic valves are designed for fluid temperatures from -270 °C to 50 °C @ nominal pressure PN25.

WxV - Warm valves are designed for fluid temperatures from -30 °C to 50 °C @ nominal pressure PN25.

Higher fluid temperatures are possible upon customer request and under consideration of the pressure/temperature rating.

Ambient temperature:

The standard ambient temperature range is -5 °C to 50 °C, extended ambient temperature ranges are possible on customer request.

Reduced seat bore:

The valves TEV DN25 and DN15 are available with reduced seat bore. The available variants are TEV DN25-15, TEV DN15-10, TEV DN15-6.

The valves with reduced seat bore are particularly recommended in cases when increased mechanical robustness is needed or in low-pressure applications to reduce the outlet velocity.

Heat loads

To reduce the heat load into the cryogenic fluid the cryogenic length "h" can be adjusted. Heat loads can be reduced furthermore with the option to implement a thermal contact, see datasheet 930435.

For an advanced heat load reduction there is the option to implement a G10 compound in the valve insert.

To avoid thermoacoustic oscillations, convection brakes according to datasheet 930108 can be used.

Flow coefficient

The maximum and minimum achievable Kv-values are given and valid for E-body-patterns.

For available flow plugs see datasheet 20150066.

For other body patterns reduced Kv-values must be considered according to datasheet 20150066.

Standard material selection

- Body and insert: Stainless steel

- Flow plug: AIBz

- Seat seal: PTFE (different materials might result in bigger actuators with larger diameters)

- Dynamic seal to ambient: Metallic bellow

- Static seal to ambient: NBR

Other material selections are available on specific customer requirements.

Additional documents

- Flow plugs: 20150066

- Body patterns: 911003

- Manual drives: 921029

- Allowed additional loads: 20100223

- Heat loads: 930435

- Thermal contacts: 930435

- Convection brakes: 930108

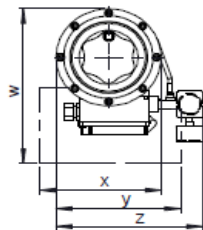
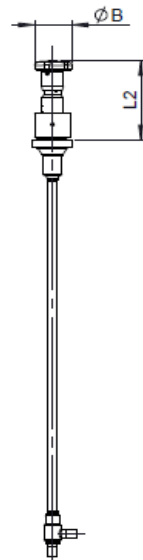
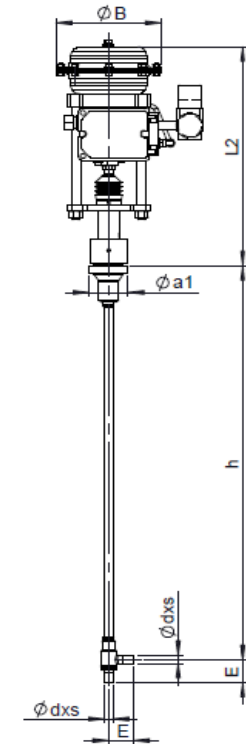
The information in this datasheet 930219 refers to standard valve configurations and dimensions; the data may differ for customised configurations. Binding information can be found in the technical specifications of the valves, STEP files and customer drawings.

WEKA datasheet 930219
**Standard bellow sealed cryogenic valves PN25
with pneumatic or manual actuator**

Valve size		DN2					
Nominal DN:		DN2					
Nominal pressure:		PN25					
Design temperature:		-270°C to +50°C					
Kv min (Cv min):		0.0010 (0.0012)					
Kv max (Cv max) as control valve:		0.100 (0.116)					
Kv max (Cv max) as Shut/Off-valve:		0.100 (0.116)					
Dimension performance:							
Vacuum weld in flange $\phi a1$ [mm]:		60					
Butt weld end, ϕdxs [mm]:		13.0x1.5					
Connection dimension E [mm]:		38					
Standard cryogenic length h [mm]:		650					
Minimum cryogenic length h [mm]:		130					
Heat load 300 to 4.2K @ indicated length h [W]:		< 0.31					
Mass to cool down (h=650) [kg]:		0.4					
Actuator:							
		PM - Po		PM - Ps		H1c	HL
Valve shut-off pressure [\leq bar]:		10	25	10	25	25	-
ϕB [mm]:		160				60	-
L2 (valve with open manual actuator) [mm]:		362				140	-
Total weight [kg]:		7.3				2.7	-
Supply air:		6.0 bar, G1/4"				-	-
Minimum liter of air supply per travel (NTP):		1.8				-	-
Maximum dimensions with SIEMENS or SAMSON positioner							
w [mm]:		255				-	-
x [mm]:		185				-	-
y [mm]:		190				-	-
z [mm]:		255				-	-
Additional weight [kg]:		2.5				-	-

PM

H1c

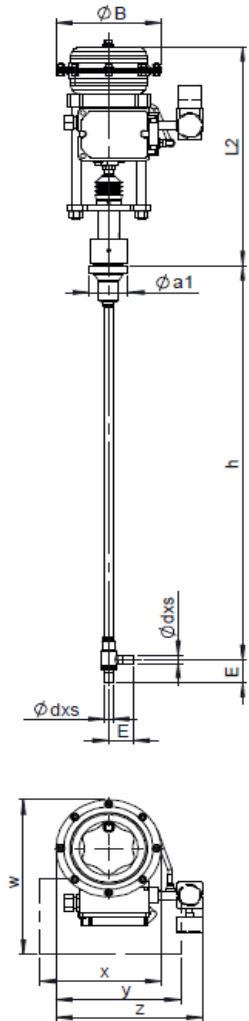


WEKA datasheet 930219

**Standard bellow sealed cryogenic valves PN25
with pneumatic or manual actuator**

PM

HIc



Valve size

DN4

Nominal DN:	DN4
Nominal pressure:	PN25
Design temperature:	-270°C to +50°C
Kv min (Cv min):	0.006 (0.007)
Kv max (Cv max) as control valve:	0.60 (0.70)
Kv max (Cv max) as Shut/Off-valve:	0.60 (0.70)

Dimension performance:

Vacuum weld in flange $\phi a1$ [mm]:	60
Butt weld end, ϕdxs [mm]:	13.0x1.5
Connection dimension E [mm]:	38
Standard cryogenic length h [mm]:	650
Minimum cryogenic length h [mm]:	130
Heat load 300 to 4.2K @ indicated length h [W]:	< 0.31
Mass to cool down (h=650) [kg]:	0.4

Actuator:

	PM - Po		PM - Ps		HIc	HL
Valve shut-off pressure [\leq bar]:	10	25	10	25	25	-
ϕB [mm]:	160				60	-
L2 (valve with open manual actuator) [mm]:	362				140	-
Total weight [kg]:	7.3				2.7	-
Supply air:	6.0 bar, G1/4"				-	-
Minimum liter of air supply per travel (NTP):	1.8				-	-

Maximum dimensions with SIEMENS or SAMSON positioner

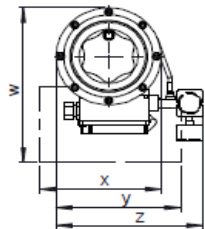
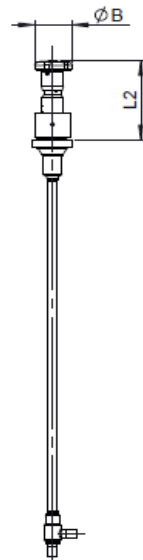
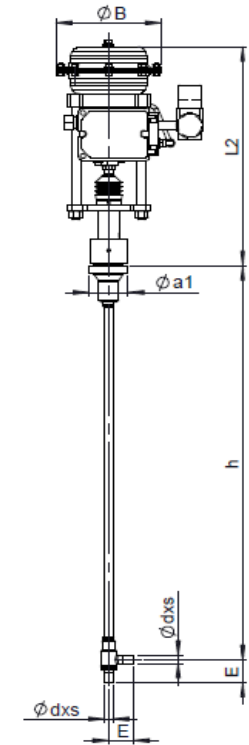
w [mm]:	255	-	-
x [mm]:	185	-	-
y [mm]:	190	-	-
z [mm]:	255	-	-
Additional weight [kg]:	2.5	-	-

WEKA datasheet 930219
**Standard bellow sealed cryogenic valves PN25
with pneumatic or manual actuator**

Valve size		DN6				
Nominal DN:	DN6 (1/8")					
Nominal pressure:	PN25					
Design temperature:	-270°C to +50°C					
Kv min (Cv min):	0.010 (0.012)					
Kv max (Cv max) as control valve:	1.10 (1.28)					
Kv max (Cv max) as Shut/Off-valve:	1.20 (1.39)					
Dimension performance:						
Vacuum weld in flange $\phi a1$ [mm]:	60					
Butt weld end, ϕdxs [mm]:	13.0x1.5					
Connection dimension E [mm]:	38					
Standard cryogenic length h [mm]:	650					
Minimum cryogenic length h [mm]:	130					
Heat load 300 to 4.2K @ indicated length h [W]:	< 0.31					
Mass to cool down (h=650) [kg]:	0.4					
Actuator:						
	PM - Po		PM - Ps		H1c	HL
Valve shut-off pressure [\leq bar]:	10	25	10	25	25	-
ϕB [mm]:	160				60	-
L2 (valve with open manual actuator) [mm]:	362				140	-
Total weight [kg]:	7.3				2.7	-
Supply air:	6.0 bar, G1/4"				-	-
Minimum liter of air supply per travel (NTP):	1.8				-	-
Maximum dimensions with SIEMENS or SAMSON positioner						
w [mm]:	255				-	-
x [mm]:	185				-	-
y [mm]:	190				-	-
z [mm]:	255				-	-
Additional weight [kg]:	2.5				-	-

PM

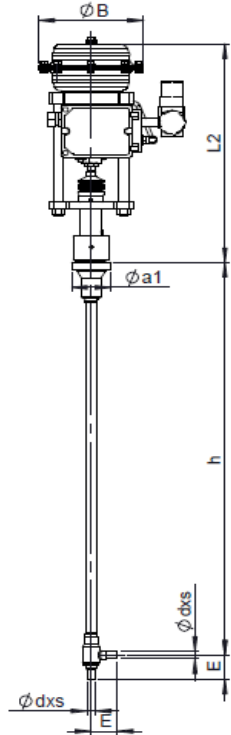
H1c



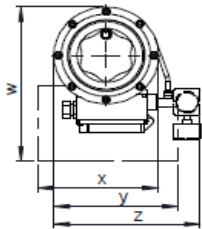
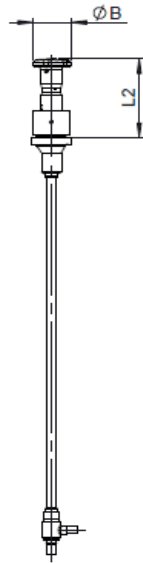
WEKA datasheet 930219

**Standard bellow sealed cryogenic valves PN25
with pneumatic or manual actuator**

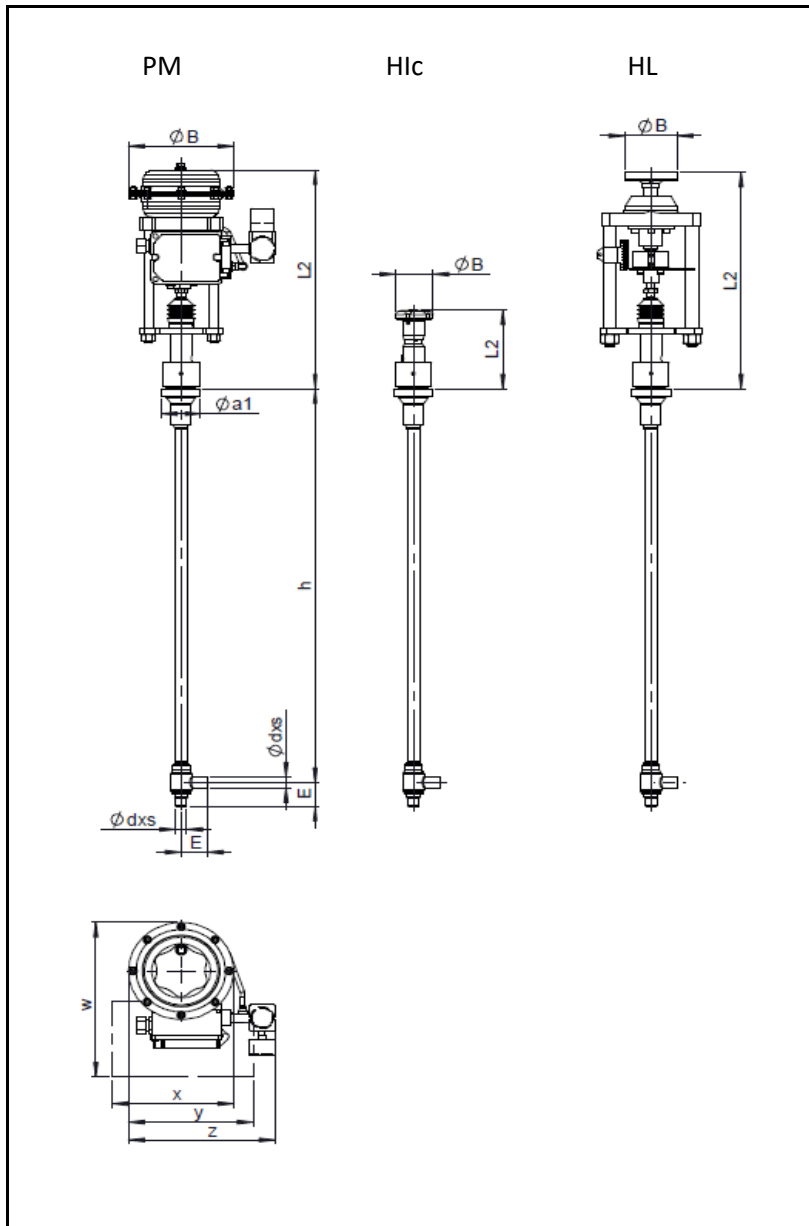
PM



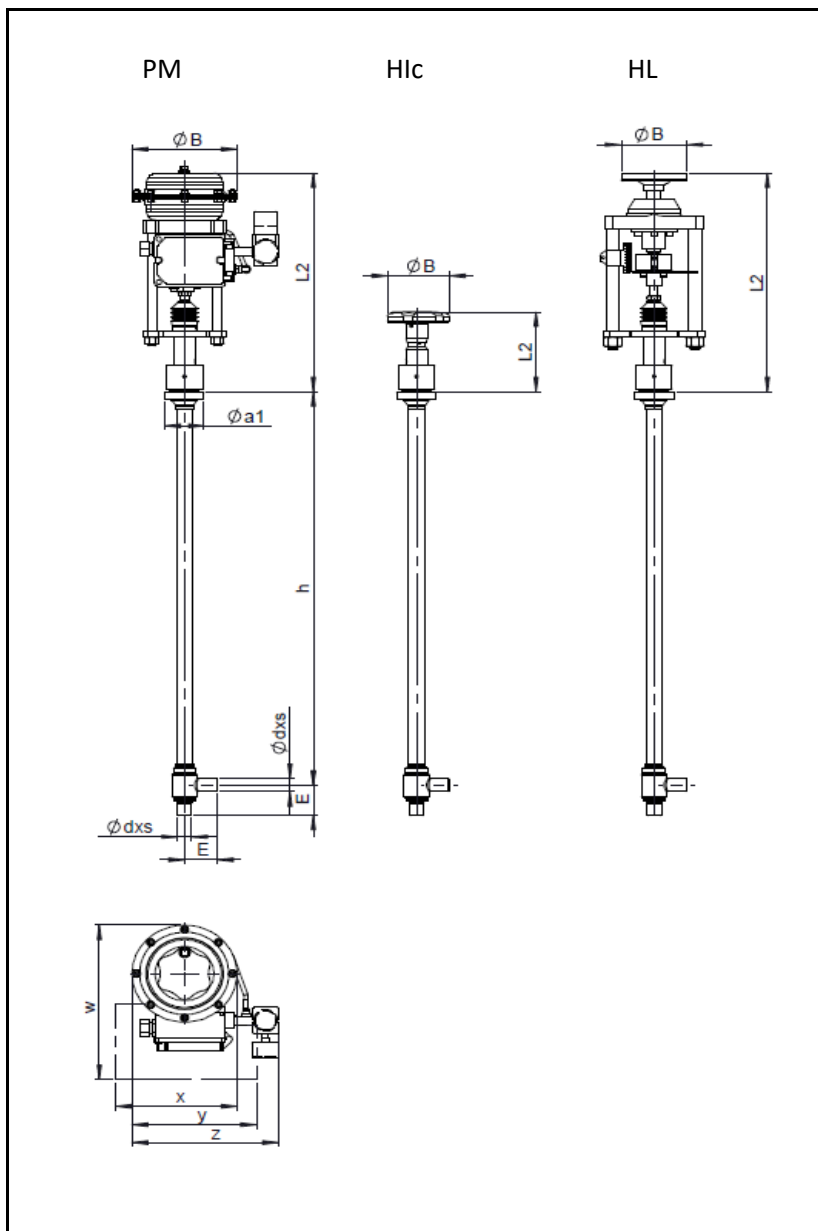
H1c



Valve size		DN8				
Nominal DN:	DN8 (1/4")					
Nominal pressure:	PN25					
Design temperature:	-270°C to +50°C					
Kv min (Cv min):	0.015 (0.017)					
Kv max (Cv max) as control valve:	1.80 (2.09)					
Kv max (Cv max) as Shut/Off-valve:	2.10 (2.44)					
Dimension performance:						
Vacuum weld in flange $\phi a1$ [mm]:	60					
Butt weld end, ϕdxs [mm]:	13.0x1.5					
Connection dimension E [mm]:	40					
Standard cryogenic length h [mm]:	650					
Minimum cryogenic length h [mm]:	130					
Heat load 300 to 4.2K @ indicated length h [W]:	< 0.36					
Mass to cool down (h=650) [kg]:	0.5					
Actuator:						
	PM - Po		PM - Ps		H1c	HL
Valve shut-off pressure [\leq bar]:	10	25	10	25	25	-
ϕB [mm]:	160				60	-
L2 (valve with open manual actuator) [mm]:	362				140	-
Total weight [kg]:	7.4				2.8	-
Supply air:	6.0 bar, G1/4"				-	-
Minimum liter of air supply per travel (NTP):	1.8				-	-
Maximum dimensions with SIEMENS or SAMSON positioner						
w [mm]:	255				-	-
x [mm]:	185				-	-
y [mm]:	190				-	-
z [mm]:	255				-	-
Additional weight [kg]:	2.5				-	-

WEKA datasheet 930219
**Standard bellow sealed cryogenic valves PN25
with pneumatic or manual actuator**


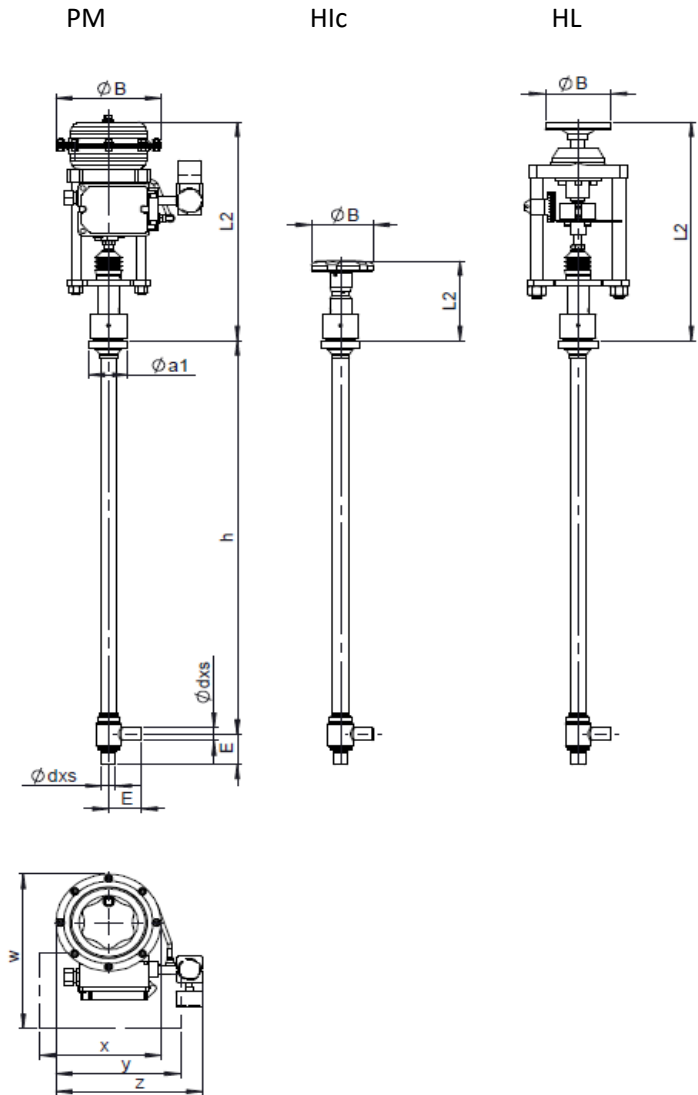
Valve size		DN10				
Nominal DN:	DN10 (3/8")					
Nominal pressure:	PN25					
Design temperature:	-270°C to +50°C					
Kv min (Cv min):	0.017 (0.020)					
Kv max (Cv max) as control valve:	2.80 (3.25)					
Kv max (Cv max) as Shut/Off-valve:	3.00 (3.48)					
Dimension performance:						
Vacuum weld in flange øa1 [mm]:	60					
Butt weld end, ødxs [mm]:	17.2x1.6					
Connection dimension E [mm]:	40					
Standard cryogenic length h [mm]:	650					
Minimum cryogenic length h [mm]:	150					
Heat load 300 to 4.2K @ indicated length h [W]:	< 0.50					
Mass to cool down (h=650) [kg]:	0.6					
Actuator:						
	PM - Po		PM - Ps		H1c	HL
Valve shut-off pressure [\leq bar]:	10	25	10	25	25	25
øB [mm]:	160				60	80
L2 (valve with open manual actuator) [mm]:	362				140	368
Total weight [kg]:	7.6				3.0	7.6
Supply air:	6.0 bar, G1/4"				-	-
Minimum liter of air supply per travel (NTP):	1.8				-	-
Maximum dimensions with SIEMENS or SAMSON positioner						
w [mm]:	255				-	-
x [mm]:	185				-	-
y [mm]:	190				-	-
z [mm]:	255				-	-
Additional weight [kg]:	2.5				-	-

WEKA datasheet 930219
**Standard bellow sealed cryogenic valves PN25
with pneumatic or manual actuator**


Valve size		DN15			
Nominal DN:	DN15 (1/2")				
Nominal pressure:	PN25				
Design temperature:	-270°C to +50°C				
Kv min (Cv min):	0.028 (0.032)				
Kv max (Cv max) as control valve:	5.80 (6.73)				
Kv max (Cv max) as Shut/Off-valve:	6.00 (6.96)				
Dimension performance:					
Vacuum weld in flange øa1 [mm]:	60				
Butt weld end, ødxs [mm]:	21.3x2.0				
Connection dimension E [mm]:	50				
Standard cryogenic length h [mm]:	650				
Minimum cryogenic length h [mm]:	100				
Heat load 300 to 4.2K @ indicated length h [W]:	< 0.64				
Mass to cool down (h=650) [kg]:	0.9				
Actuator:					
	PM - Po		PM - Ps		
Valve shut-off pressure [\leq bar]:	10	25	10	25	
øB [mm]:	160				
L2 (valve with open manual actuator) [mm]:	362				
Total weight [kg]:	7.8		3.4		7.9
Supply air:	6.0 bar, G1/4"				
Minimum liter of air supply per travel (NTP):	1.8				
Maximum dimensions with SIEMENS or SAMSON positioner					
w [mm]:	255				
x [mm]:	185				
y [mm]:	190				
z [mm]:	255				
Additional weight [kg]:	2.5				

WEKA datasheet 930219

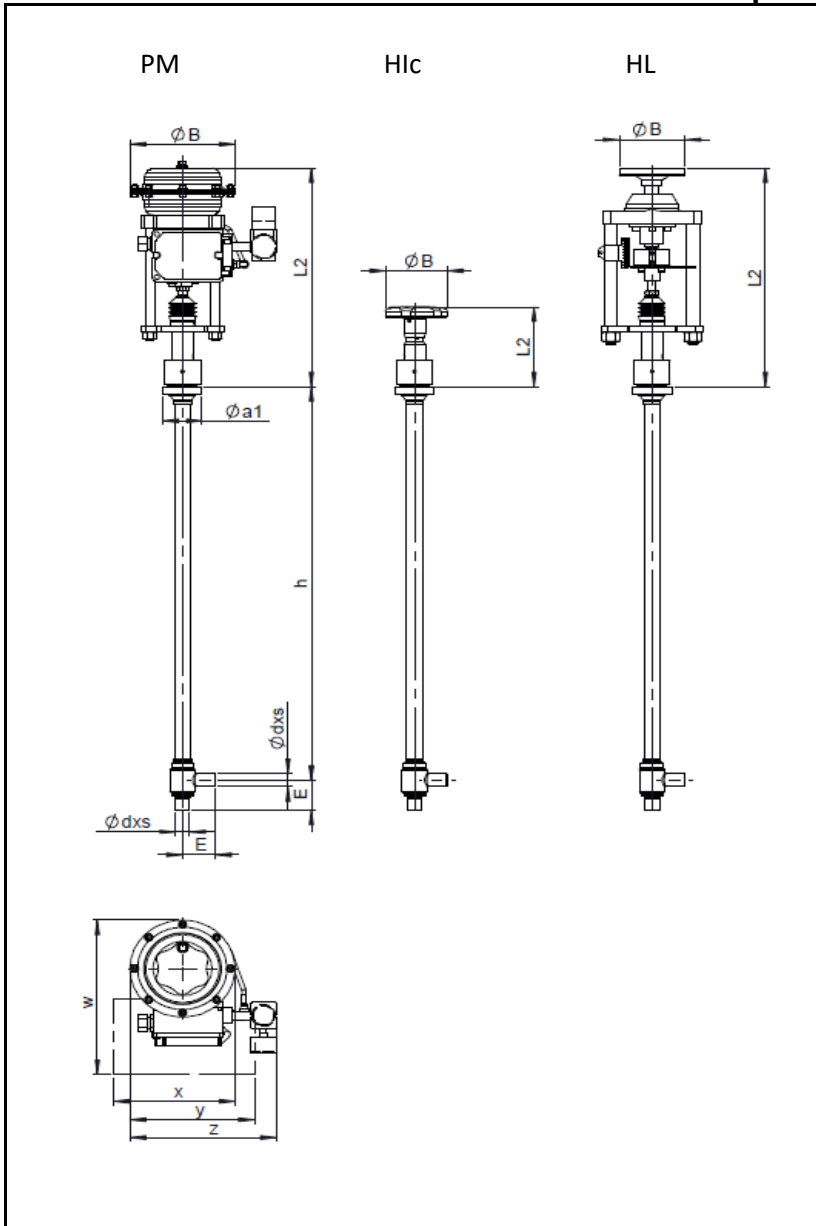
**Standard bellow sealed cryogenic valves PN25
with reduced seat bore and
pneumatic or manual actuator**



Valve size		DN15-10				
Nominal DN:	DN15 (1/2")					
Nominal pressure:	PN25					
Design temperature:	-270°C to +50°C					
Kv min (Cv min):	0.017 (0.020)					
Kv max (Cv max) as control valve:	2.80 (3.25)					
Kv max (Cv max) as Shut/Off-valve:	3.00 (3.48)					
Dimension performance:						
Vacuum weld in flange øa1 [mm]:	60					
Butt weld end, ødxs [mm]:	21.3x2.0					
Connection dimension E [mm]:	50					
Standard cryogenic length h [mm]:	650					
Minimum cryogenic length h [mm]:	100					
Heat load 300 to 4.2K @ indicated length h [W]:	< 0.64					
Mass to cool down (h=650) [kg]:	0.9					
Actuator:						
	PM - Po		PM - Ps		H1c	HL
Valve shut-off pressure [≤bar]:	10	25	10	25	25	25
øB [mm]:	160				100	100
L2 (valve with open manual actuator) [mm]:	362				142	372
Total weight [kg]:	7.8				3.4	7.9
Supply air:	6.0 bar, G1/4"				-	-
Minimum liter of air supply per travel (NTP):	1.8				-	-
Maximum dimensions with SIEMENS or SAMSON positioner						
w [mm]:	255				-	-
x [mm]:	185				-	-
y [mm]:	190				-	-
z [mm]:	255				-	-
Additional weight [kg]:	2.5				-	-

WEKA datasheet 930219

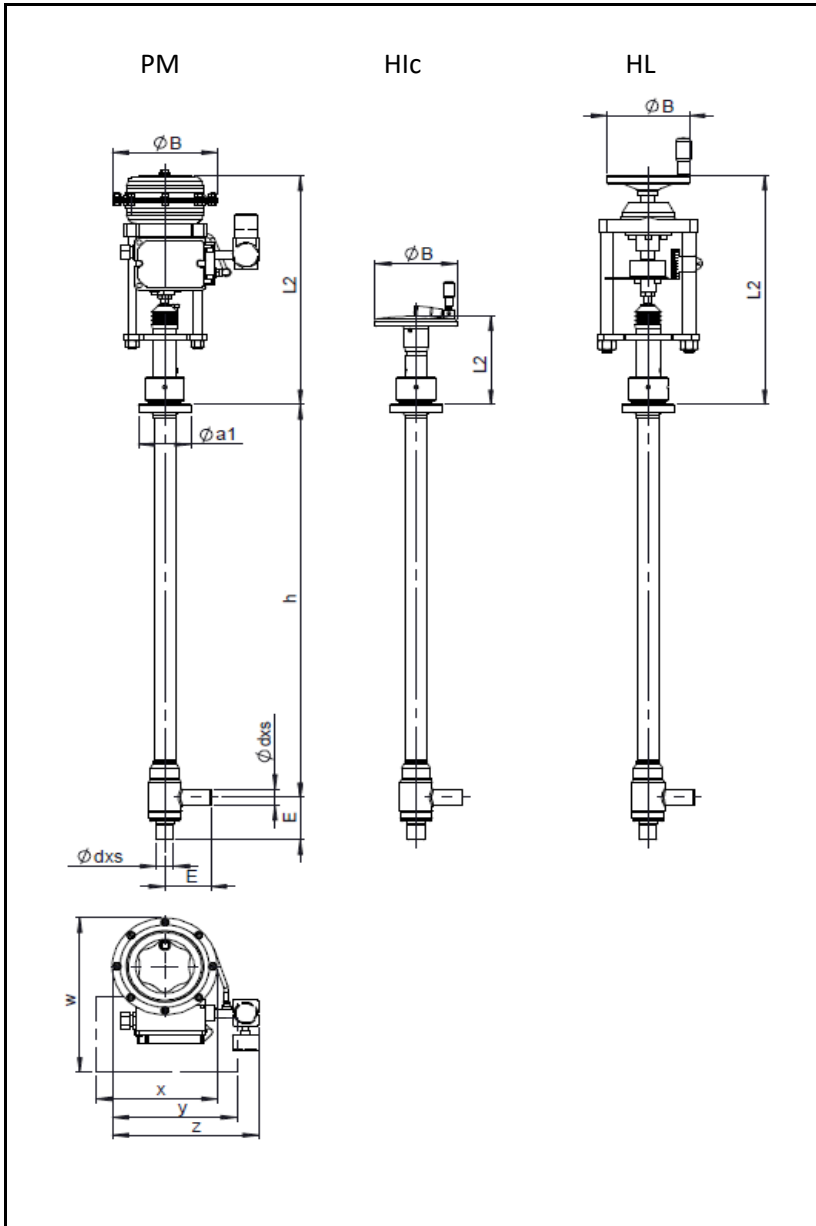
**Standard bellow sealed cryogenic valves PN25
with reduced seat bore and
pneumatic or manual actuator**



Valve size		DN15-6				
Nominal DN:	DN15 (1/2")					
Nominal pressure:	PN25					
Design temperature:	-270°C to +50°C					
Kv min (Cv min):	0.010 (0.012)					
Kv max (Cv max) as control valve:	1.10 (1.28)					
Kv max (Cv max) as Shut/Off-valve:	1.20 (1.39)					
Dimension performance:						
Vacuum weld in flange øa1 [mm]:	60					
Butt weld end, ødxs [mm]:	21.3x2.0					
Connection dimension E [mm]:	50					
Standard cryogenic length h [mm]:	650					
Minimum cryogenic length h [mm]:	100					
Heat load 300 to 4.2K @ indicated length h [W]:	< 0.64					
Mass to cool down (h=650) [kg]:	0.9					
Actuator:						
	PM - Po		PM - Ps		H1c	HL
Valve shut-off pressure [≤bar]:	10	25	10	25	25	25
øB [mm]:	160				100	100
L2 (valve with open manual actuator) [mm]:	362				142	372
Total weight [kg]:	7.8				3.4	7.9
Supply air:	6.0 bar, G1/4"				-	-
Minimum liter of air supply per travel (NTP):	1.8				-	-
Maximum dimensions with SIEMENS or SAMSON positioner						
w [mm]:	255				-	-
x [mm]:	185				-	-
y [mm]:	190				-	-
z [mm]:	255				-	-
Additional weight [kg]:	2.5				-	-

WEKA datasheet 930219

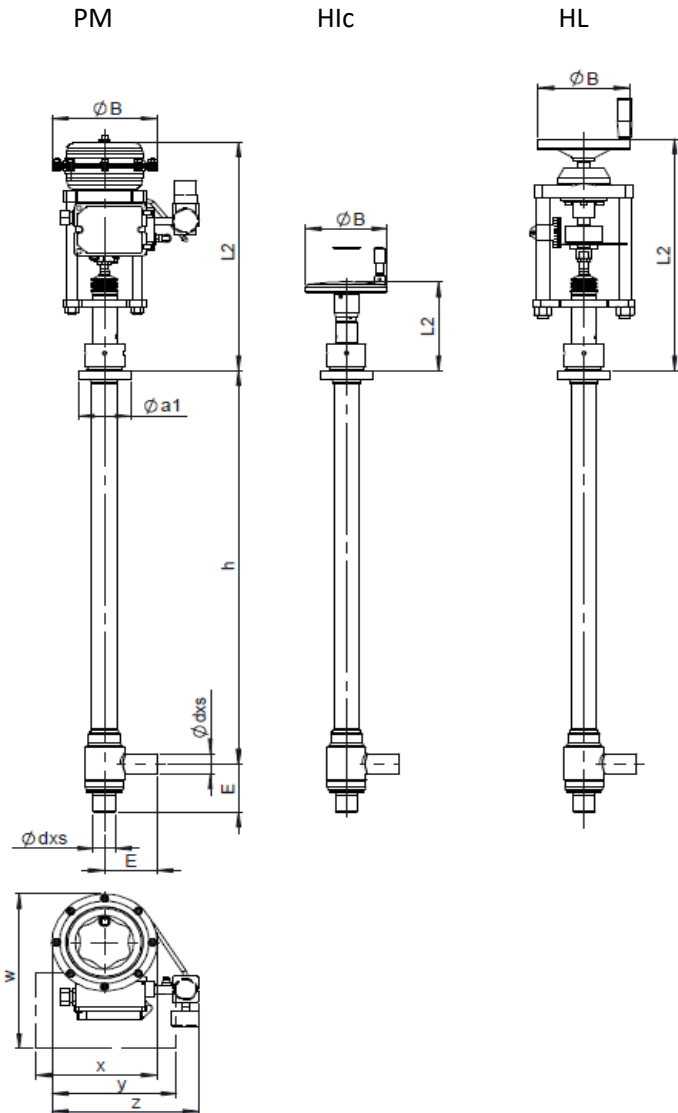
**Standard bellow sealed cryogenic valves PN25
with pneumatic or manual actuator**



Valve size		DN20				
Nominal DN:	DN20 (3/4")					
Nominal pressure:	PN25					
Design temperature:	-270°C to +50°C					
Kv min (Cv min):	0.049 (0.057)					
Kv max (Cv max) as control valve:	11.0 (12.8)					
Kv max (Cv max) as Shut/Off-valve:	12.0 (13.9)					
Dimension performance:						
Vacuum weld in flange øa1 [mm]:	80					
Butt weld end, ødxs [mm]:	26.9x2.0					
Connection dimension E [mm]:	70					
Standard cryogenic length h [mm]:	650					
Minimum cryogenic length h [mm]:	170					
Heat load 300 to 4.2K @ indicated length h [W]:	< 1.05					
Mass to cool down (h=650) [kg]:	1.7					
Actuator:						
	PM - Po		PM - Ps		H1c	HL
Valve shut-off pressure [≤bar]:	10	25	10	25	25	25
øB [mm]:	160				125	125
L2 (valve with open manual actuator) [mm]:	378				162	396
Total weight [kg]:	9.3				5.3	10.3
Supply air:	6.0 bar, G1/4"				-	-
Minimum liter of air supply per travel (NTP):	1.8				-	-
Maximum dimensions with SIEMENS or SAMSON positioner						
w [mm]:	255				-	-
x [mm]:	185				-	-
y [mm]:	190				-	-
z [mm]:	255				-	-
Additional weight [kg]:	2.5				-	-

WEKA datasheet 930219

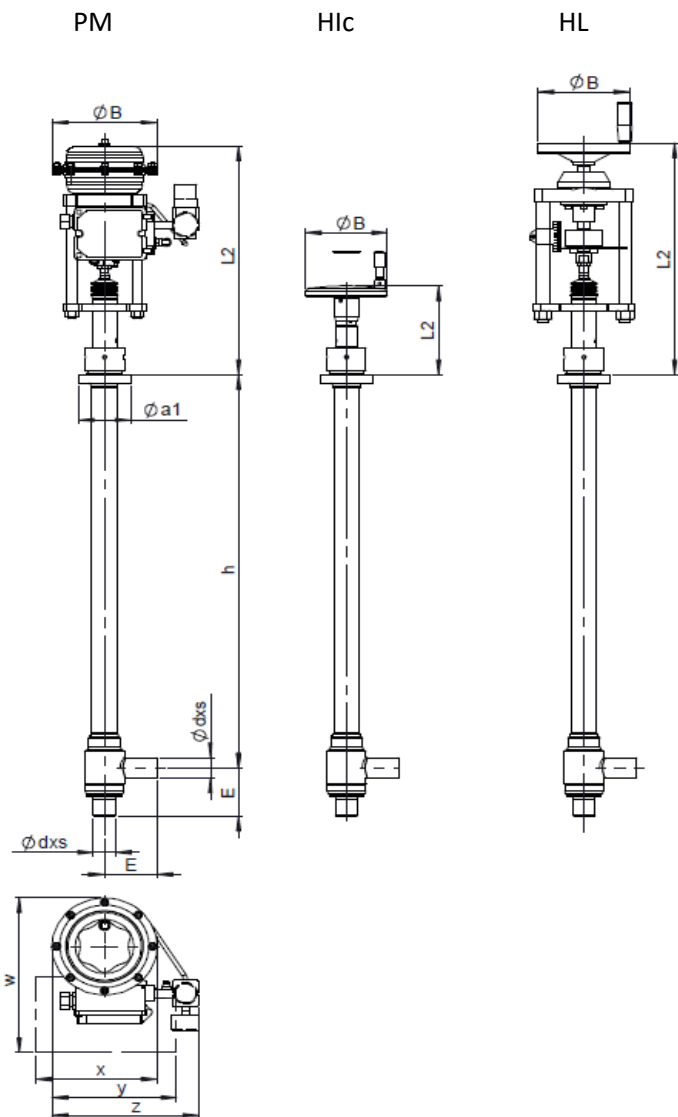
**Standard bellow sealed cryogenic valves PN25
with pneumatic or manual actuator**



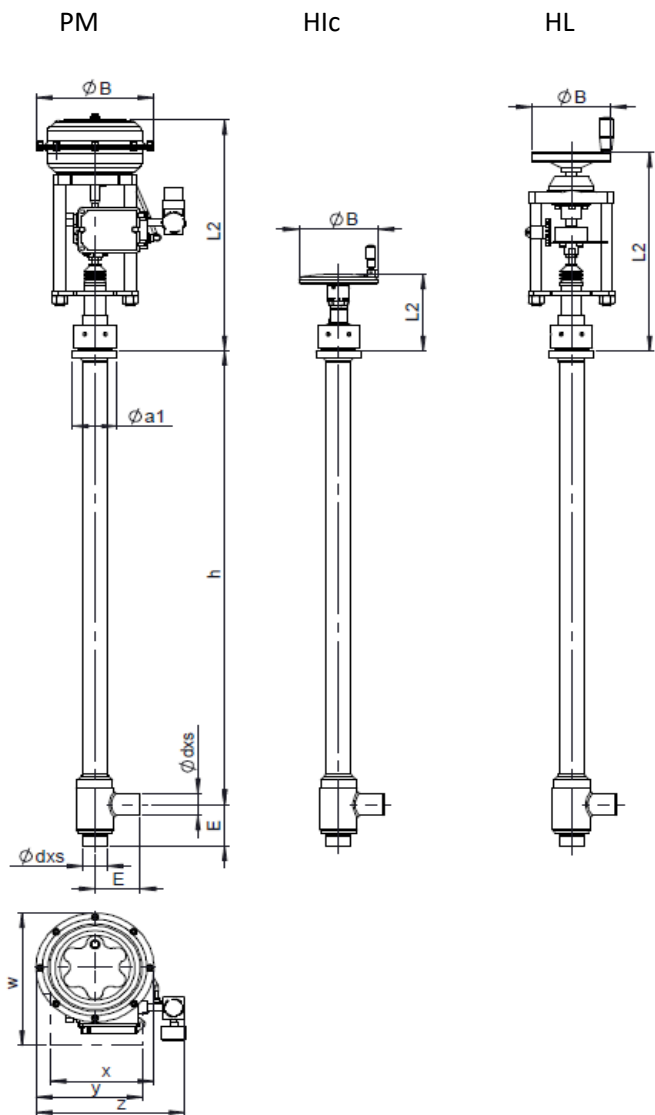
Valve size		DN25				
Nominal DN:	DN25 (1")					
Nominal pressure:	PN25					
Design temperature:	-270°C to +50°C					
Kv min (Cv min):	0.049 (0.057)					
Kv max (Cv max) as control valve:	14.7 (17.1)					
Kv max (Cv max) as Shut/Off-valve:	15.0 (17.4)					
Dimension performance:						
Vacuum weld in flange øa1 [mm]:	80					
Butt weld end, ødxs [mm]:	33.7x2.0					
Connection dimension E [mm]:	80					
Standard cryogenic length h [mm]:	650					
Minimum cryogenic length h [mm]:	170					
Heat load 300 to 4.2K @ indicated length h [W]:	< 1.38					
Mass to cool down (h=650) [kg]:	2.4					
Actuator:						
	PM - Po		PM - Ps		H1c	HL
Valve shut-off pressure [≤bar]:	10	25	10	25	25	25
ØB [mm]:	160				125	140
L2 (valve with open manual actuator) [mm]:	378				162	399
Total weight [kg]:	10.1				6.1	10.7
Supply air:	6.0 bar, G1/4"				-	-
Minimum liter of air supply per travel (NTP):	1.8				-	-
Maximum dimensions with SIEMENS or SAMSON positioner						
w [mm]:	255				-	-
x [mm]:	185				-	-
y [mm]:	190				-	-
z [mm]:	255				-	-
Additional weight [kg]:	2.5				-	-

WEKA datasheet 930219

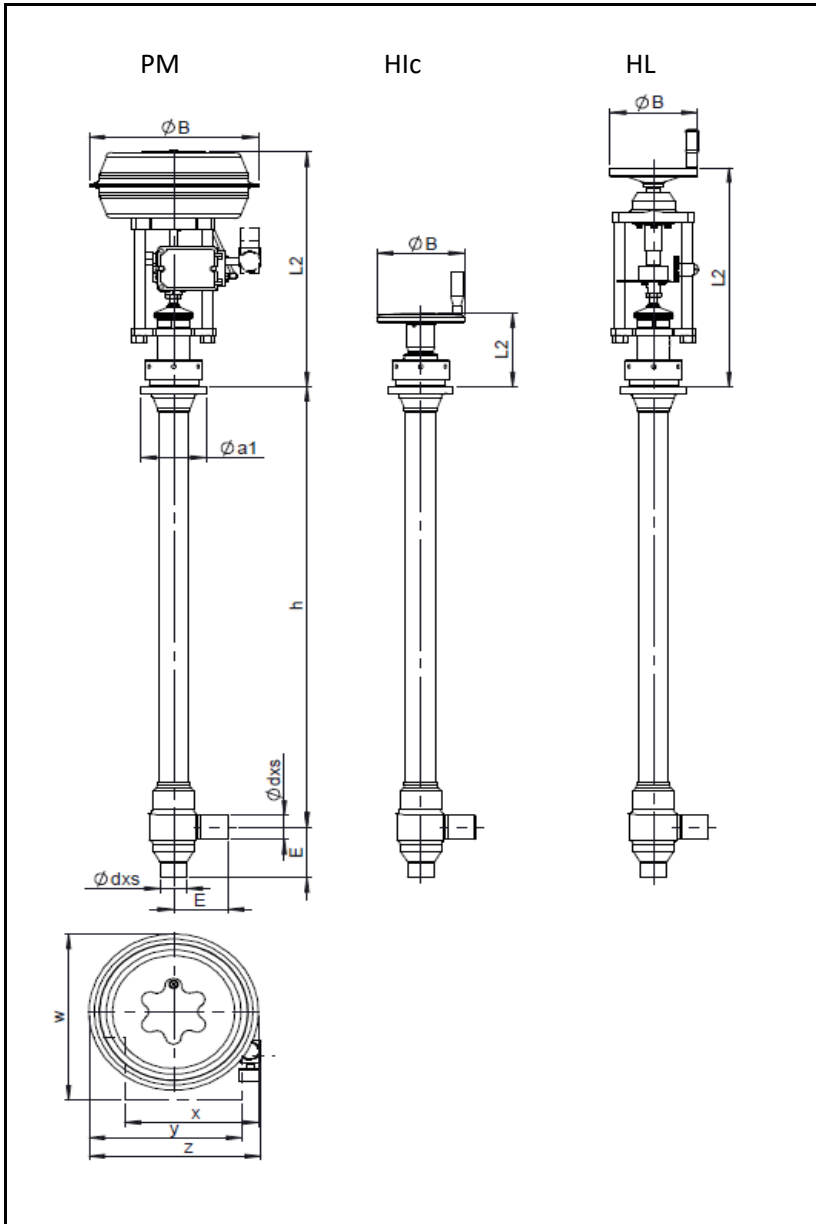
**Standard bellow sealed cryogenic valves PN25
with reduced seat bore and
pneumatic or manual actuator**



Valve size		DN25-15				
Nominal DN:	DN25 (1")					
Nominal pressure:	PN25					
Design temperature:	-270°C to +50°C					
Kv min (Cv min):	0.028 (0.032)					
Kv max (Cv max) as control valve:	5.80 (6.73)					
Kv max (Cv max) as Shut/Off-valve:	6.00 (6.96)					
Dimension performance:						
Vacuum weld in flange øa1 [mm]:	80					
Butt weld end, ødxs [mm]:	33.7x2.0					
Connection dimension E [mm]:	80					
Standard cryogenic length h [mm]:	650					
Minimum cryogenic length h [mm]:	170					
Heat load 300 to 4.2K @ indicated length h [W]:	< 1.38					
Mass to cool down (h=650) [kg]:	2.4					
Actuator:						
	PM - Po		PM - Ps		H1c	HL
Valve shut-off pressure [≤bar]:	10	25	10	25	25	25
øB [mm]:	160				125	140
L2 (valve with open manual actuator) [mm]:	378				162	399
Total weight [kg]:	10.1				6.1	10.7
Supply air:	6.0 bar, G1/4"				-	-
Minimum liter of air supply per travel (NTP):	1.8				-	-
Maximum dimensions with SIEMENS or SAMSON positioner						
w [mm]:	255				-	-
x [mm]:	185				-	-
y [mm]:	190				-	-
z [mm]:	255				-	-
Additional weight [kg]:	2.5				-	-

WEKA datasheet 930219
**Standard bellow sealed cryogenic valves PN25
with pneumatic or manual actuator**


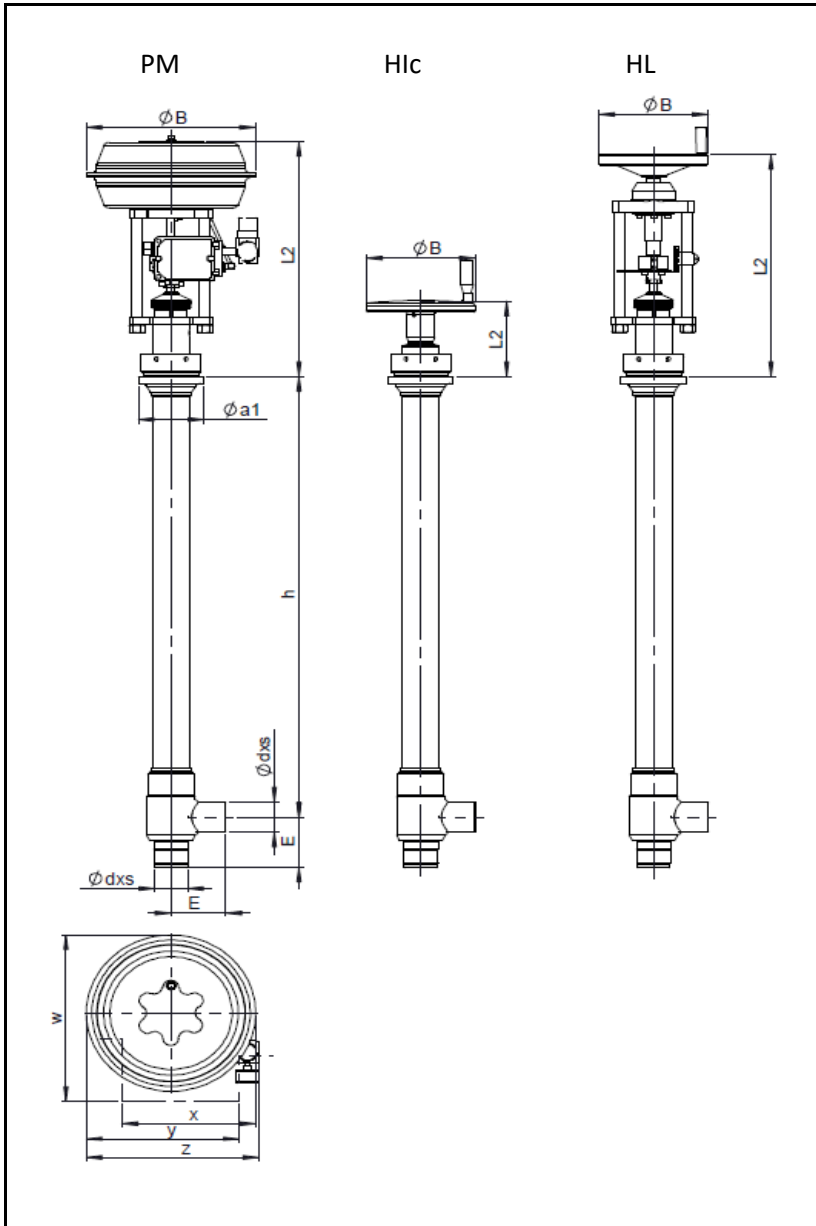
Valve size		DN32				
Nominal DN:	DN32 (1 1/4")					
Nominal pressure:	PN25					
Design temperature:	-270°C to +50°C					
Kv min (Cv min):	0.073 (0.085)					
Kv max (Cv max) as control valve:	23.0 (26.7)					
Kv max (Cv max) as Shut/Off-valve:	23.5 (27.3)					
Dimension performance:						
Vacuum weld in flange $\phi a1$ [mm]:	80					
Butt weld end, ϕdxs [mm]:	42.4x2.0					
Connection dimension E [mm]:	80					
Standard cryogenic length h [mm]:	875					
Minimum cryogenic length h [mm]:	170					
Heat load 300 to 4.2K @ indicated length h [W]:	< 1.26					
Mass to cool down (h=875) [kg]:	3.7					
Actuator:						
	PM - Po		PM - Ps		H1c	HL
Valve shut-off pressure [\leq bar]:	10	25	10	25	25	25
ϕB [mm]:	160	210	160	210	140	140
L2 (valve with open manual actuator) [mm]:	378	445	378	445	163	399
Total weight [kg]:	12.3	13.3	12.3	13.3	8.6	12.9
Supply air:	6.0 bar, G1/4"				-	-
Minimum liter of air supply per travel (NTP):	1.8	3.9	1.8	3.9	-	-
Maximum dimensions with SIEMENS or SAMSON positioner						
w [mm]:	255	280	255		-	-
x [mm]:	185	195	185		-	-
y [mm]:	190	230	190		-	-
z [mm]:	255	295	255		-	-
Additional weight [kg]:	2.5				-	-

WEKA datasheet 930219
**Standard bellows sealed cryogenic valves PN25
with pneumatic or manual actuator**


Valve size		DN40					
Nominal DN:	DN40 (1 1/2")						
Nominal pressure:	PN25						
Design temperature:	-270°C to +50°C						
Kv min (Cv min):	0.13 (0.15)						
Kv max (Cv max) as control valve:	49.0 (56.8)						
Kv max (Cv max) as Shut/Off-valve:	50.0 (58.0)						
Dimension performance:							
Vacuum weld in flange øa1 [mm]:	120						
Butt weld end, ødxs [mm]:	48.3x2.0						
Connection dimension E [mm]:	100						
Standard cryogenic length h [mm]:	875						
Minimum cryogenic length h [mm]:	300						
Heat load 300 to 4.2K @ indicated length h [W]:	< 2.42						
Mass to cool down (h=875) [kg]:	7.2						
Actuator:							
	PM - Po		PM - Ps		H1c	HL	
Valve shut-off pressure [≤bar]:	10	25	10	25	25	25	
øB [mm]:	210	310	210	310	160	160	
L2 (valve with open manual actuator) [mm]:	446	466	446	466	178	467	
Total weight [kg]:	22.3	25.2	22.3	25.2	19.0	23.9	
Supply air:	6.0 bar, G1/4"				-	-	
Minimum liter of air supply per travel (NTP):	7.5	14.5	7.5	14.5	-	-	
Maximum dimensions with SIEMENS or SAMSON positioner							
w [mm]:	280	330	280	330	-	-	
x [mm]:	195	245	195	245	-	-	
y [mm]:	230	280	230	280	-	-	
z [mm]:	295	345	295	345	-	-	
Additional weight [kg]:	2.5				-	-	

WEKA datasheet 930219

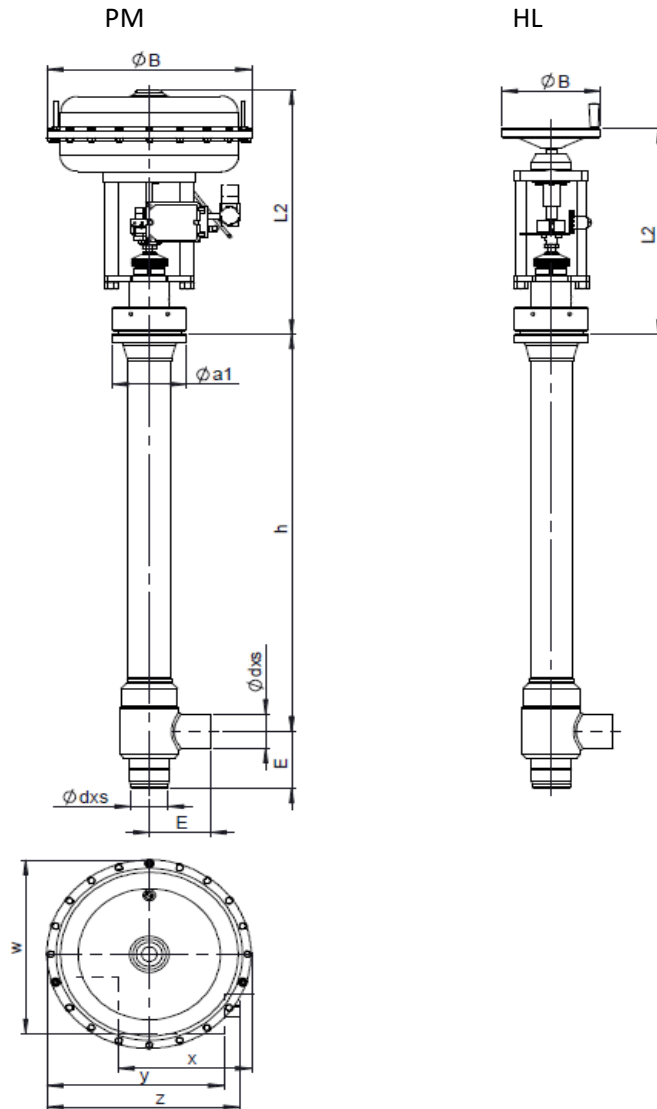
**Standard bellow sealed cryogenic valves PN25
with pneumatic or manual actuator**



Valve size		DN50				
Nominal DN:	DN50 (2")					
Nominal pressure:	PN25					
Design temperature:	-270°C to +50°C					
Kv min (Cv min):	0.14 (0.16)					
Kv max (Cv max) as control valve:	71.0 (82.4)					
Kv max (Cv max) as Shut/Off-valve:	75.0 (87.0)					
Dimension performance:						
Vacuum weld in flange øa1 [mm]:	120					
Butt weld end, ødxs [mm]:	60.3x2.0					
Connection dimension E [mm]:	100					
Standard cryogenic length h [mm]:	875					
Minimum cryogenic length h [mm]:	300					
Heat load 300 to 4.2K @ indicated length h [W]:	< 2.96					
Mass to cool down (h=875) [kg]:	8.1					
Actuator:						
	PM - Po		PM - Ps		H1c	HL
Valve shut-off pressure [≤bar]:	10	25	10	25	25	25
øB [mm]:	310	310	210	310	200	200
L2 (valve with open manual actuator) [mm]:	466	466	446	466	182	473
Total weight [kg]:	26.6	26.6	23.7	26.6	21.4	25.0
Supply air:	6.0 bar, G1/4"				-	-
Minimum liter of air supply per travel (NTP):	14.5	14.5	7.5	14.5	-	-
Maximum dimensions with SIEMENS or SAMSON positioner						
w [mm]:	330	330	280	330	-	-
x [mm]:	245	245	195	245	-	-
y [mm]:	280	280	230	280	-	-
z [mm]:	345	345	295	345	-	-
Additional weight [kg]:	2.5				-	-

WEKA datasheet 930219

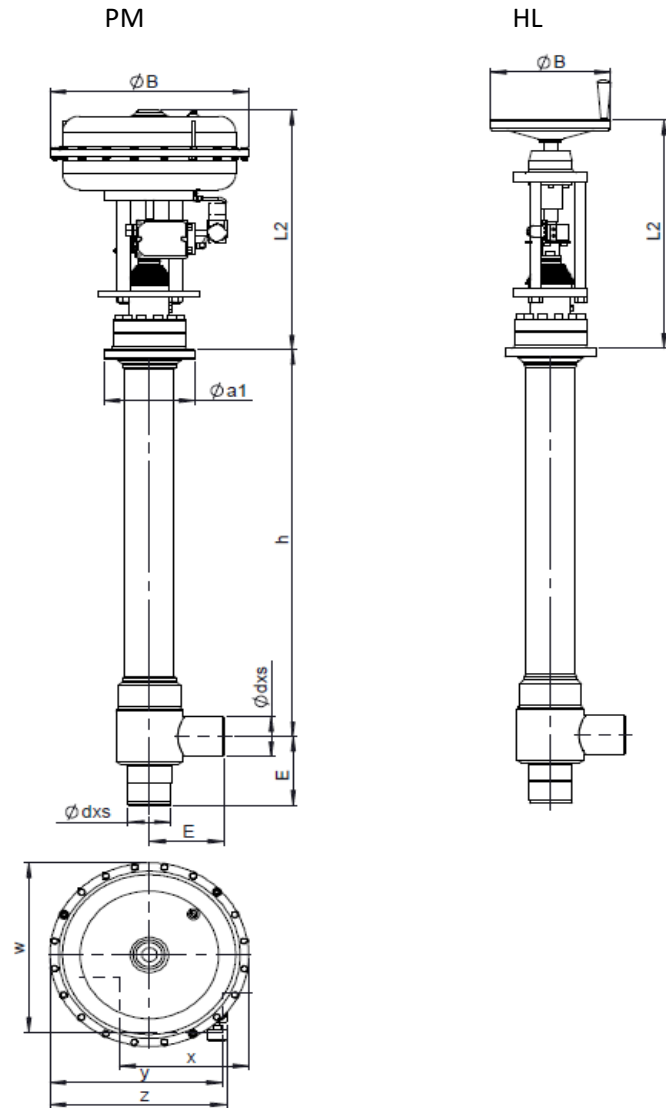
**Standard bellow sealed cryogenic valves PN25
with pneumatic or manual actuator**



Valve size		DN65				
Nominal DN:	DN65 (2 1/2")					
Nominal pressure:	PN25					
Design temperature:	-270°C to +50°C					
Kv min (Cv min):	0.18 (0.21)					
Kv max (Cv max) as control valve:	98 (114)					
Kv max (Cv max) as Shut/Off-valve:	100 (116)					
Dimension performance:						
Vacuum weld in flange $\phi a1$ [mm]:	150					
Butt weld end, ϕdxs [mm]:	76.1x2.0					
Connection dimension E [mm]:	125					
Standard cryogenic length h [mm]:	875					
Minimum cryogenic length h [mm]:	300					
Heat load 300 to 4.2K @ indicated length h [W]:	< 4.59					
Mass to cool down (h=875) [kg]:	14.7					
Actuator:						
	PM - Po		PM - Ps		H1c	HL
Valve shut-off pressure [\leq bar]:	10	25	10	25	-	25
ϕB [mm]:	310	420	310	420	-	200
L2 (valve with open manual actuator) [mm]:	479	539	479	539	-	486
Total weight [kg]:	41.2	83.8	41.2	83.8	-	39.7
Supply air:	6.0 bar, G1/4"				-	-
Minimum liter of air supply per travel (NTP):	14.5	31.5	14.5	31.5	-	-
Maximum dimensions with SIEMENS or SAMSON positioner						
w [mm]:	330	310	330	310	-	-
x [mm]:	245	270	245	270	-	-
y [mm]:	280	360	280	360	-	-
z [mm]:	345	425	345	425	-	-
Additional weight [kg]:	2.5				-	-

WEKA datasheet 930219

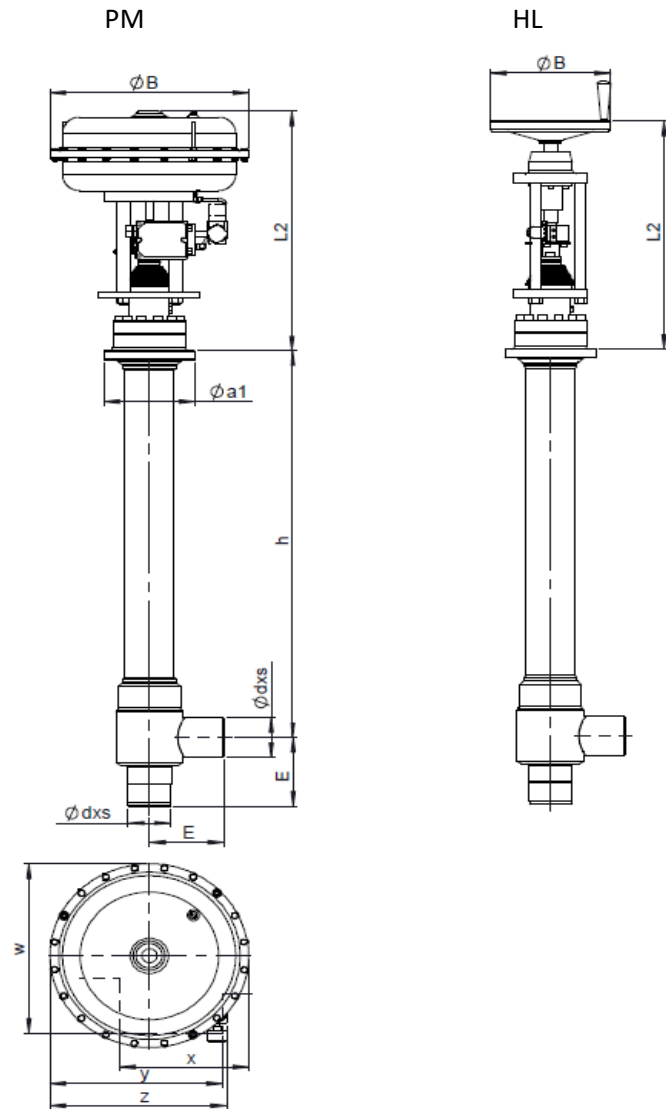
**Standard bellow sealed cryogenic valves PN25
with pneumatic or manual actuator**



Valve size		DN80				
Nominal DN:	DN80 (3")					
Nominal pressure:	PN25					
Design temperature:	-270°C to +50°C					
Kv min (Cv min):	0.25 (0.29)					
Kv max (Cv max) as control valve:	160 (186)					
Kv max (Cv max) as Shut/Off-valve:	170 (197)					
Dimension performance:						
Vacuum weld in flange $\phi a1$ [mm]:	190					
Butt weld end, ϕdxs [mm]:	88.9x2.6					
Connection dimension E [mm]:	155					
Standard cryogenic length h [mm]:	875					
Minimum cryogenic length h [mm]:	500					
Heat load 300 to 4.2K @ indicated length h [W]:	< 7.32					
Mass to cool down (h=875) [kg]:	23.0					
Actuator:						
	PM - Po		PM - Ps		H1c	HL
Valve shut-off pressure [\leq bar]:	10	25	10	25	-	25
ϕB [mm]:	310	420	310	420	-	250
L2 (valve with open manual actuator) [mm]:	482	542	482	542	-	552
Total weight [kg]:	52.7	100.2	52.7	100.2	-	57.4
Supply air:	6.0 bar, G1/4"				-	-
Minimum liter of air supply per travel (NTP):	14.5	31.5	14.5	31.5	-	-
Maximum dimensions with SIEMENS or SAMSON positioner						
w [mm]:	330	435	330	435	-	-
x [mm]:	245	300	245	300	-	-
y [mm]:	280	335	280	335	-	-
z [mm]:	345	400	345	400	-	-
Additional weight [kg]:	3.0				-	-

WEKA datasheet 930219

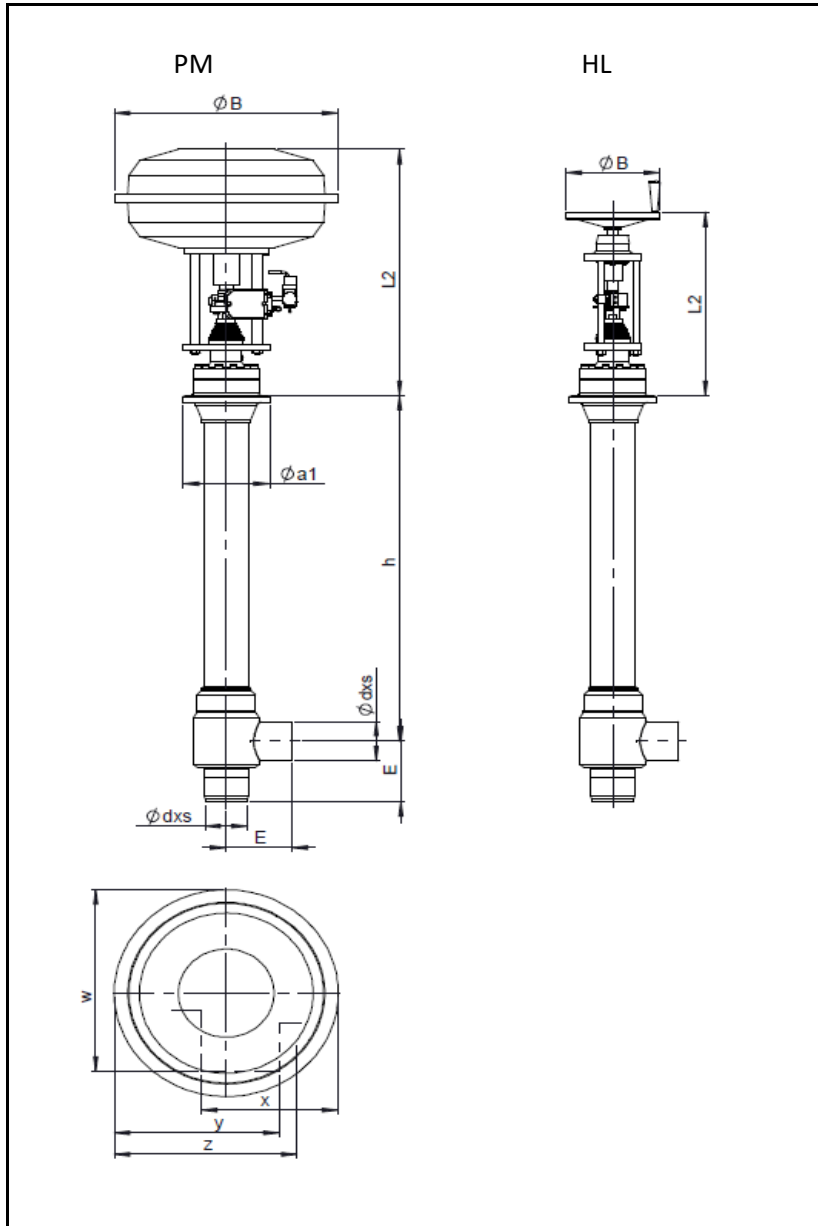
**Standard bellow sealed cryogenic valves PN25
with pneumatic or manual actuator**



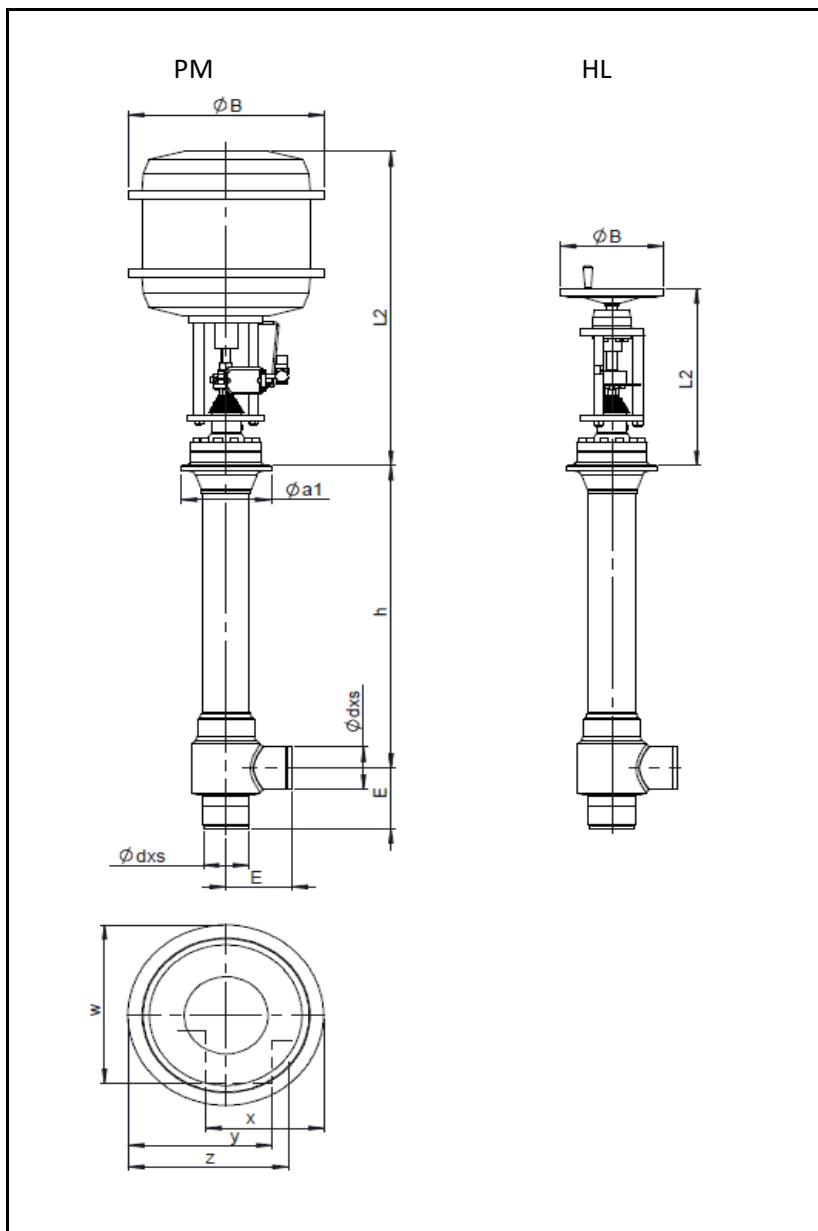
Valve size		DN80 / PN40 version				
Nominal DN:	DN80 (3")					
Nominal pressure:	PN40					
Design temperature:	-270°C to +50°C					
Kv min (Cv min):	0.25 (0.29)					
Kv max (Cv max) as control valve:	160 (186)					
Kv max (Cv max) as Shut/Off-valve:	170 (197)					
Dimension performance:						
Vacuum weld in flange øa1 [mm]:	190					
Butt weld end, ødxs [mm]:	88.9x2.6					
Connection dimension E [mm]:	155					
Standard cryogenic length h [mm]:	875					
Minimum cryogenic length h [mm]:	700					
Heat load 300 to 4.2K @ indicated length h [W]:	< 11.08					
Mass to cool down (h=875) [kg]:	23.0					
Actuator:						
	PM - Po		PM - Ps		H1c	HL
Valve shut-off pressure [≤bar]:	10	25	10	25	-	25
øB [mm]:	310	420	310	420	-	250
L2 (valve with open manual actuator) [mm]:	482	542	482	542	-	552
Total weight [kg]:	52.7	100.2	52.7	100.2	-	57.4
Supply air:	6.0 bar, G1/4"				-	-
Minimum liter of air supply per travel (NTP):	14.5	31.5	14.5	31.5	-	-
Maximum dimensions with SIEMENS or SAMSON positioner						
w [mm]:	330	435	330	435	-	-
x [mm]:	245	300	245	300	-	-
y [mm]:	280	335	280	335	-	-
z [mm]:	345	400	345	400	-	-
Additional weight [kg]:	3.0				-	-

WEKA datasheet 930219

**Standard bellow sealed cryogenic valves PN25
with pneumatic or manual actuator**



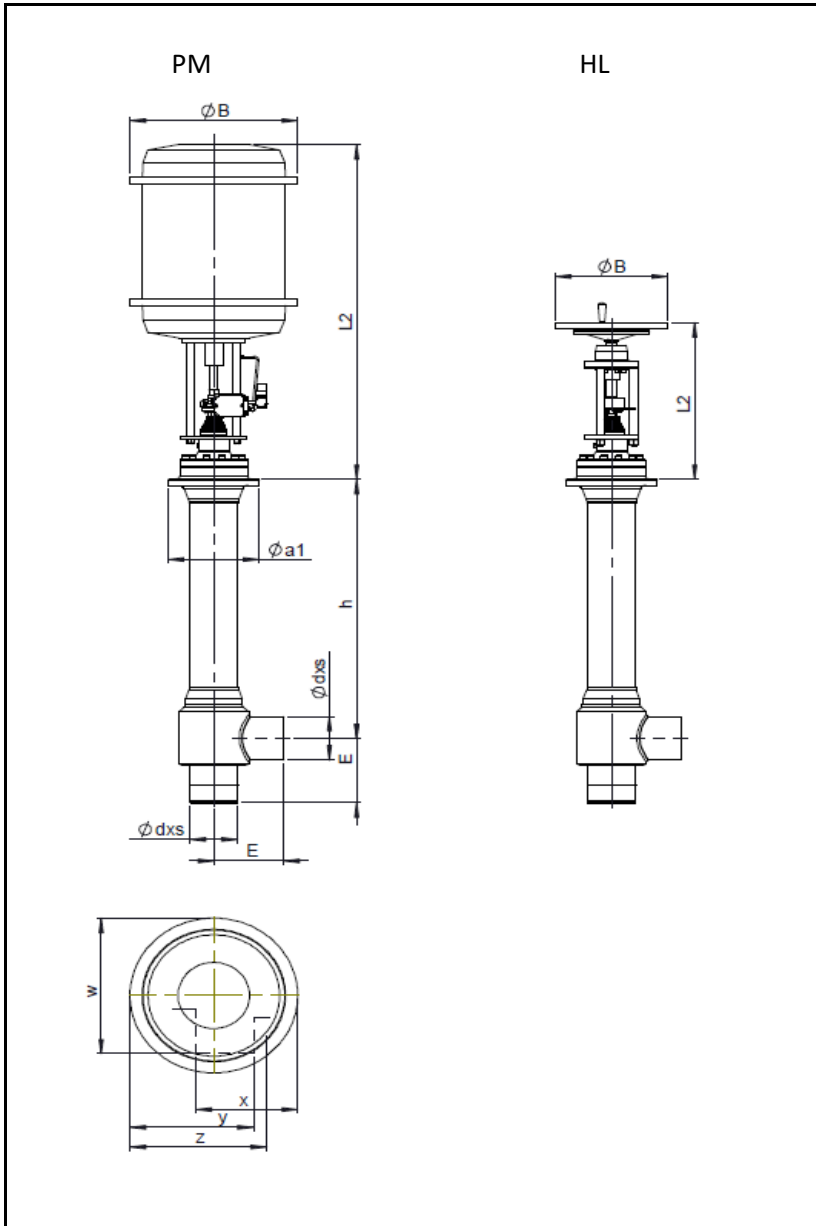
Valve size		DN100				
Nominal DN:	DN100 (4")					
Nominal pressure:	PN25					
Design temperature:	-270°C to +50°C					
Kv min (Cv min):	0.36 (0.42)					
Kv max (Cv max) as control valve:	250 (290)					
Kv max (Cv max) as Shut/Off-valve:	260 (302)					
Dimension performance:						
Vacuum weld in flange $\phi a1$ [mm]:	230					
Butt weld end, ϕdxs [mm]:	114.3x2.6					
Connection dimension E [mm]:	175					
Standard cryogenic length h [mm]:	1000					
Minimum cryogenic length h [mm]:	600					
Heat load 300 to 4.2K @ indicated length h [W]:	< 7.49					
Mass to cool down (h=1000) [kg]:	37.0					
Actuator:						
	PM - Po		PM - Ps		HLc	HL
Valve shut-off pressure [\leq bar]:	10	25	10	25	-	25
ϕB [mm]:	420	600	420	600	-	250
L2 (valve with open manual actuator) [mm]:	575	713	575	713	-	581
Total weight [kg]:	99.3	252.9	99.3	252.9	-	96.0
Supply air 6 bar:	G1/4"	G3/4"	G1/4"	G3/4"	-	-
Minimum liter of air supply per travel (NTP):	47.0	102.0	47.0	102.0	-	-
Maximum dimensions with SIEMENS or SAMSON positioner						
w [mm]:	435	525	435	525	-	-
x [mm]:	300	365	300	365	-	-
y [mm]:	335	440	335	440	-	-
z [mm]:	400	520	400	520	-	-
Additional weight [kg]:	3.0				-	-

WEKA datasheet 930219
**Standard bellow sealed cryogenic valves PN25
with pneumatic or manual actuator**


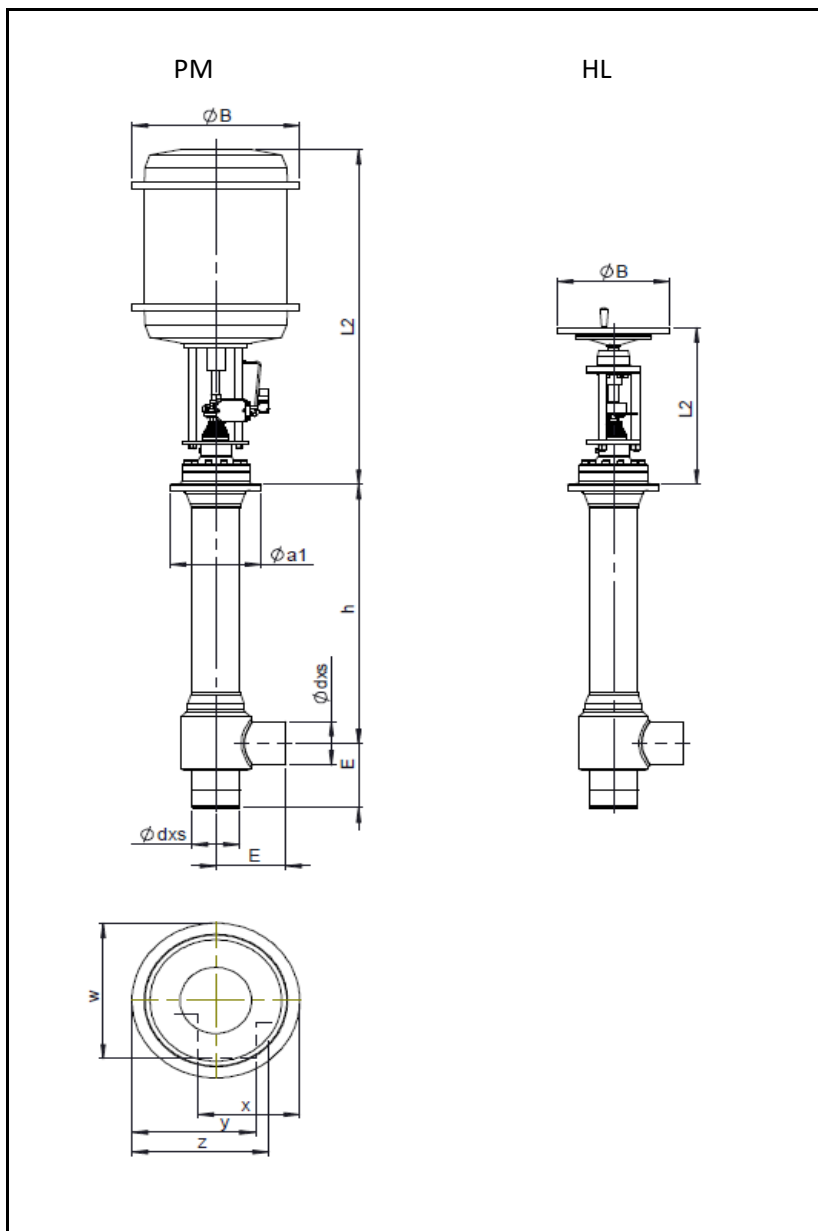
Valve size		DN125				
Nominal DN:	DN125 (5")					
Nominal pressure:	PN25					
Design temperature:	-270°C to +50°C					
Kv min (Cv min):	0.45 (0.52)					
Kv max (Cv max) as control valve:	370 (429)					
Kv max (Cv max) as Shut/Off-valve:	390 (452)					
Dimension performance:						
Vacuum weld in flange $\phi a1$ [mm]:	275					
Butt weld end, ϕdxs [mm]:	139.7x2.6					
Connection dimension E [mm]:	200					
Standard cryogenic length h [mm]:	1000					
Minimum cryogenic length h [mm]:	750					
Heat load 300 to 4.2K @ indicated length h [W]:	< 9.31					
Mass to cool down (h=1000) [kg]:	52.0					
Actuator:						
	PM - Po		PM - Ps		HLc	HL
Valve shut-off pressure [\leq bar]:	10	25	10	25	-	25
ϕB [mm]:	420	600	420	600	-	315
L2 (valve with open manual actuator) [mm]:	779	1037	779	906	-	649
Total weight [kg]:	185.9	346.5	185.9	303.2	-	130.4
Supply air 6 bar:	G1/4"	G3/4"	G1/4"	G3/4"	-	-
Minimum liter of air supply per travel (NTP):	60.0	153.0	60.0	126.0	-	-
Maximum dimensions with SIEMENS or SAMSON positioner						
w [mm]:	435	525	435	525	-	-
x [mm]:	300	365	300	365	-	-
y [mm]:	335	440	335	440	-	-
z [mm]:	400	520	400	520	-	-
Additional weight [kg]:	3.0				-	-

WEKA datasheet 930219

**Standard bellow sealed cryogenic valves PN25
with pneumatic or manual actuator**



Valve size		DN150				
Nominal DN:	DN150 (6")					
Nominal pressure:	PN25					
Design temperature:	-270°C to +50°C					
Kv min (Cv min):	0.60 (0.70)					
Kv max (Cv max) as control valve:	550 (638)					
Kv max (Cv max) as Shut/Off-valve:	600 (696)					
Dimension performance:						
Vacuum weld in flange $\phi a1$ [mm]:	325					
Butt weld end, ϕdxs [mm]:	168.3x2.6					
Connection dimension E [mm]:	250					
Standard cryogenic length h [mm]:	1000					
Minimum cryogenic length h [mm]:	750					
Heat load 300 to 4.2K @ indicated length h [W]:	< 12.51					
Mass to cool down (h=1000) [kg]:	75.0					
Actuator:						
	PM - Po		PM - Ps		HLc	HL
Valve shut-off pressure [\leq bar]:	10	20	10	20	-	25
ϕB [mm]:	600	600	600	600	-	400
L2 (valve with open manual actuator) [mm]:	910	1292	910	910	-	675
Total weight [kg]:	340.7	444.8	340.7	340.7	-	167.0
Supply air:	6.0 bar, G3/4"				-	-
Minimum liter of air supply per travel (NTP):	126.0	180.0	126.0	126.0	-	-
Maximum dimensions with SIEMENS or SAMSON positioner						
w [mm]:	525	525	525	525	-	-
x [mm]:	365	365	365	365	-	-
y [mm]:	440	440	440	440	-	-
z [mm]:	520	520	520	520	-	-
Additional weight [kg]:	3.0				-	-

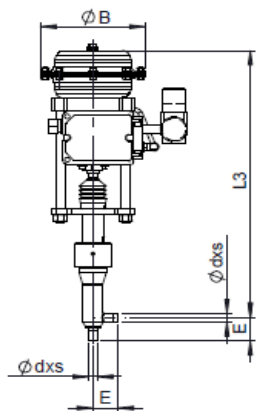
WEKA datasheet 930219
**Standard bellow sealed cryogenic valves PN25
with pneumatic or manual actuator**


Valve size		DN150 / PN6 version				
Nominal DN:	DN150 (6")					
Nominal pressure:	PN6					
Design temperature:	-270°C to +50°C					
Kv min (Cv min):	0.60 (0.70)					
Kv max (Cv max) as control valve:	550 (638)					
Kv max (Cv max) as Shut/Off-valve:	600 (696)					
Dimension performance:						
Vacuum weld in flange $\phi a1$ [mm]:	325					
Butt weld end, ϕdxs [mm]:	168.3x2.6					
Connection dimension E [mm]:	250					
Standard cryogenic length h [mm]:	1000					
Minimum cryogenic length h [mm]:	750					
Heat load 300 to 4.2K @ indicated length h [W]:	< 9.13					
Mass to cool down (h=1000) [kg]:	75.0					
Actuator:						
	PM - Po		PM - Ps		HIc	HL
Valve shut-off pressure [\leq bar]:	10	20	10	20	-	25
ϕB [mm]:	600	600	600	600	-	400
L2 (valve with open manual actuator) [mm]:	910	1292	910	910	-	675
Total weight [kg]:	340.7	444.8	340.7	340.7	-	167.0
Supply air:	6.0 bar, G3/4"				-	-
Minimum liter of air supply per travel (NTP):	126.0	180.0	126.0	126.0	-	-
Maximum dimensions with SIEMENS or SAMSON positioner						
w [mm]:	525	525	525	525	-	-
x [mm]:	365	365	365	365	-	-
y [mm]:	440	440	440	440	-	-
z [mm]:	520	520	520	520	-	-
Additional weight [kg]:	3.0				-	-

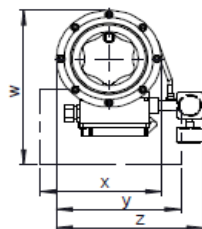
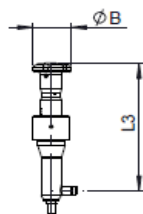
WEKA datasheet 930219

**Standard bellow sealed cryogenic valves PN25
with pneumatic or manual actuator**

PM



HIc

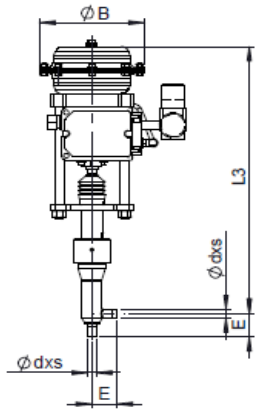


Valve size		DN2				
Nominal DN:	DN2					
Nominal pressure:	PN25					
Design temperature:	-30°C to +50°C					
Kv min (Cv min):	0.0010 (0.0012)					
Kv max (Cv max) as control valve:	0.035 (0.041)					
Kv max (Cv max) as Shut/Off-valve:	0.035 (0.041)					
Dimension performance:						
Vacuum weld in flange $\phi a1$ [mm]:	-					
Butt weld end, ϕd_{xs} [mm]:	13.0x1.5					
Connection dimension E [mm]:	38					
Standard cryogenic length h [mm]:	-					
Heat load 300 to 4.2K @ indicated length h [W]:	-					
Mass to cool down (h=650) [kg]:	-					
Actuator:						
	PM - Po		PM - Ps		HIc	HL
Valve shut-off pressure [\leq bar]:	10	25	10	25	25	-
ϕB [mm]:	160				60	-
L3 (valve with open manual actuator) [mm]:	442				220	-
Total weight [kg]:	7.1				2.5	-
Supply air:	6.0 bar, G1/4"				-	-
Minimum liter of air supply per travel (NTP):	1.8				-	-
Maximum dimensions with SIEMENS or SAMSON positioner						
w [mm]:	255				-	-
x [mm]:	185				-	-
y [mm]:	190				-	-
z [mm]:	255				-	-
Additional weight [kg]:	2.5				-	-

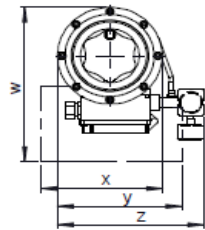
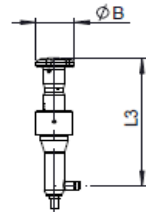
WEKA datasheet 930219

**Standard bellow sealed cryogenic valves PN25
with pneumatic or manual actuator**

PM



HIc

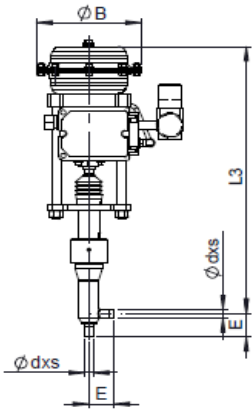


Valve size		DN4				
Nominal DN:	DN4					
Nominal pressure:	PN25					
Design temperature:	-30°C to +50°C					
Kv min (Cv min):	0.007 (0.008)					
Kv max (Cv max) as control valve:	0.120 (0.139)					
Kv max (Cv max) as Shut/Off-valve:	0.120 (0.139)					
Dimension performance:						
Vacuum weld in flange øa1 [mm]:	-					
Butt weld end, ødxs [mm]:	13.0x1.5					
Connection dimension E [mm]:	38					
Standard cryogenic length h [mm]:	-					
Heat load 300 to 4.2K @ indicated length h [W]:	-					
Mass to cool down (h=650) [kg]:	-					
Actuator:						
	PM - Po		PM - Ps		HIc	HL
Valve shut-off pressure [≤bar]:	10	25	10	25	25	-
øB [mm]:	160				60	-
L3 (valve with open manual actuator) [mm]:	442				220	-
Total weight [kg]:	7.1				2.5	-
Supply air:	6.0 bar, G1/4"				-	-
Minimum liter of air supply per travel (NTP):	1.8				-	-
Maximum dimensions with SIEMENS or SAMSON positioner						
w [mm]:	255				-	-
x [mm]:	185				-	-
y [mm]:	190				-	-
z [mm]:	255				-	-
Additional weight [kg]:	2.5				-	-

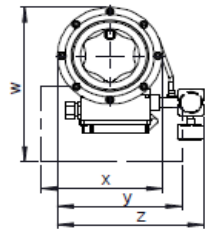
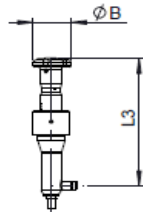
WEKA datasheet 930219

**Standard bellow sealed cryogenic valves PN25
with pneumatic or manual actuator**

PM



HIc

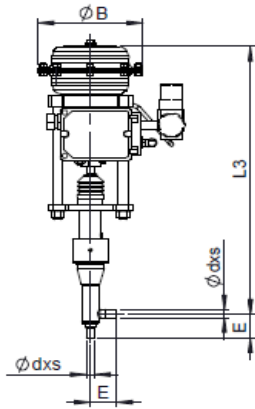


Valve size		DN6				
Nominal DN:	DN6 (1/8")					
Nominal pressure:	PN25					
Design temperature:	-30°C to +50°C					
Kv min (Cv min):	0.010 (0.012)					
Kv max (Cv max) as control valve:	1.10 (1.28)					
Kv max (Cv max) as Shut/Off-valve:	1.20 (1.39)					
Dimension performance:						
Vacuum weld in flange øa1 [mm]:	-					
Butt weld end, ødxs [mm]:	13.0x1.5					
Connection dimension E [mm]:	38					
Standard cryogenic length h [mm]:	-					
Heat load 300 to 4.2K @ indicated length h [W]:	-					
Mass to cool down (h=650) [kg]:	-					
Actuator:						
	PM - Po		PM - Ps		HIc	HL
Valve shut-off pressure [\leq bar]:	10	25	10	25	25	-
øB [mm]:	160				60	-
L3 (valve with open manual actuator) [mm]:	442				220	-
Total weight [kg]:	7.1				2.5	-
Supply air:	6.0 bar, G1/4"				-	-
Minimum liter of air supply per travel (NTP):	1.8				-	-
Maximum dimensions with SIEMENS or SAMSON positioner						
w [mm]:	255				-	-
x [mm]:	185				-	-
y [mm]:	190				-	-
z [mm]:	255				-	-
Additional weight [kg]:	2.5				-	-

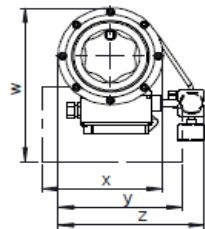
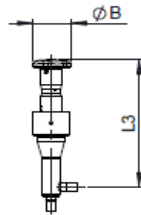
WEKA datasheet 930219

**Standard bellow sealed cryogenic valves PN25
with pneumatic or manual actuator**

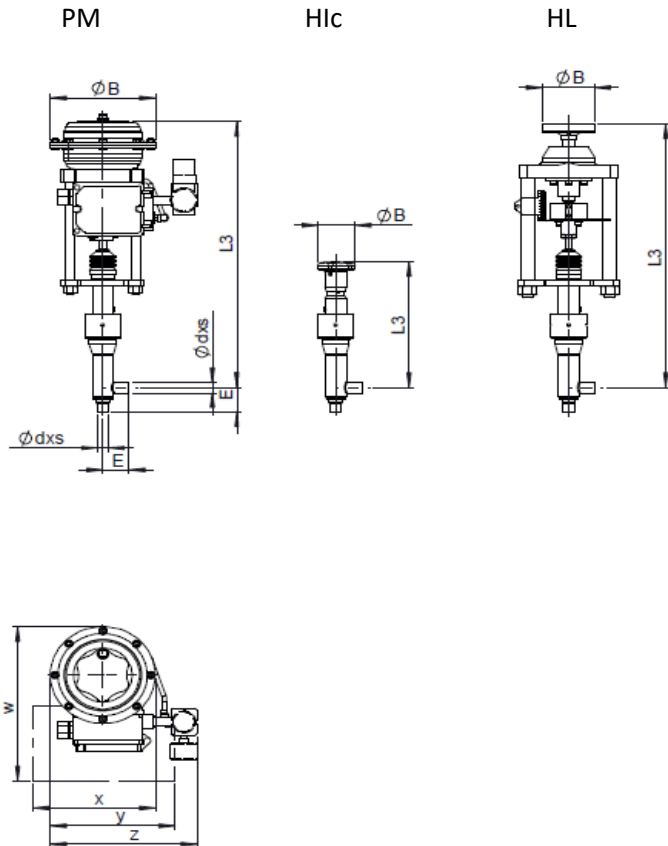
PM



HIc



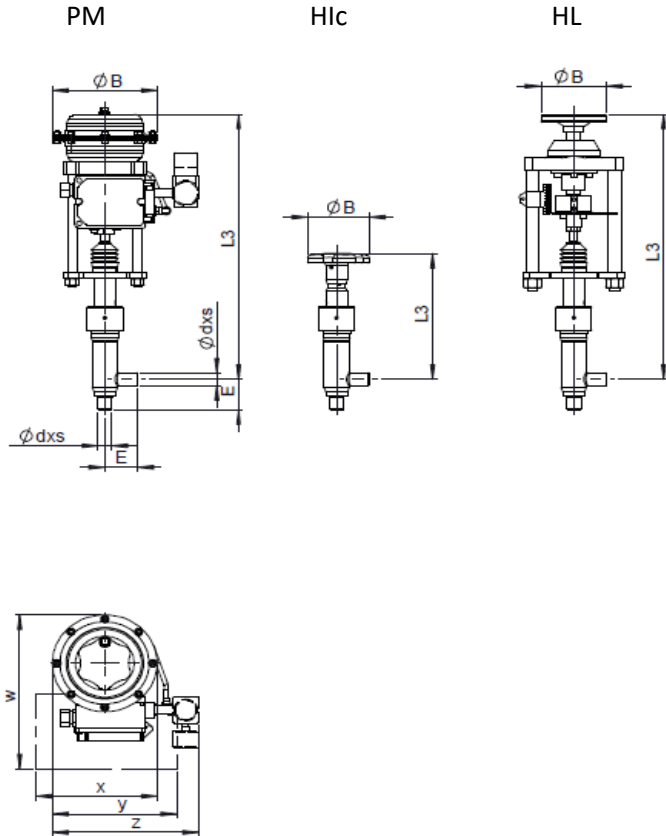
Valve size		DN8				
Nominal DN:	DN8 (1/4")					
Nominal pressure:	PN25					
Design temperature:	-30°C to +50°C					
Kv min (Cv min):	0.015 (0.017)					
Kv max (Cv max) as control valve:	1.80 (2.09)					
Kv max (Cv max) as Shut/Off-valve:	2.10 (2.44)					
Dimension performance:						
Vacuum weld in flange øa1 [mm]:	-					
Butt weld end, ødxs [mm]:	13.0x1.5					
Connection dimension E [mm]:	40					
Standard cryogenic length h [mm]:	-					
Heat load 300 to 4.2K @ indicated length h [W]:	-					
Mass to cool down (h=650) [kg]:	-					
Actuator:						
	PM - Po		PM - Ps		HIc	HL
Valve shut-off pressure [\leq bar]:	10	25	10	25	25	-
øB [mm]:	160				60	-
L3 (valve with open manual actuator) [mm]:	442				220	-
Total weight [kg]:	6.9				2.3	-
Supply air:	6.0 bar, G1/4"				-	-
Minimum liter of air supply per travel (NTP):	1.8				-	-
Maximum dimensions with SIEMENS or SAMSON positioner						
w [mm]:	255				-	-
x [mm]:	185				-	-
y [mm]:	190				-	-
z [mm]:	255				-	-
Additional weight [kg]:	2.5				-	-

WEKA datasheet 930219
**Standard bellow sealed cryogenic valves PN25
with pneumatic or manual actuator**


Valve size		DN10			
Nominal DN:	DN10 (3/8")				
Nominal pressure:	PN25				
Design temperature:	-30°C to +50°C				
Kv min (Cv min):	0.017 (0.020)				
Kv max (Cv max) as control valve:	2.80 (3.25)				
Kv max (Cv max) as Shut/Off-valve:	3.00 (3.48)				
Dimension performance:					
Vacuum weld in flange $\phi a1$ [mm]:	-				
Butt weld end, ϕdxs [mm]:	17.2x1.6				
Connection dimension E [mm]:	40				
Standard cryogenic length h [mm]:	-				
Heat load 300 to 4.2K @ indicated length h [W]:	-				
Mass to cool down (h=650) [kg]:	-				
Actuator:					
	PM - Po		PM - Ps		
Valve shut-off pressure [\leq bar]:	10	25	10	25	
ϕB [mm]:	160		60		80
L3 (valve with open manual actuator) [mm]:	440		218		446
Total weight [kg]:	7.0		2.4		7.0
Supply air:	6.0 bar, G1/4"		-		-
Minimum liter of air supply per travel (NTP):	1.8		-		-
Maximum dimensions with SIEMENS or SAMSON positioner					
w [mm]:	255		-		-
x [mm]:	185		-		-
y [mm]:	190		-		-
z [mm]:	255		-		-
Additional weight [kg]:	2.5		-		-

WEKA datasheet 930219

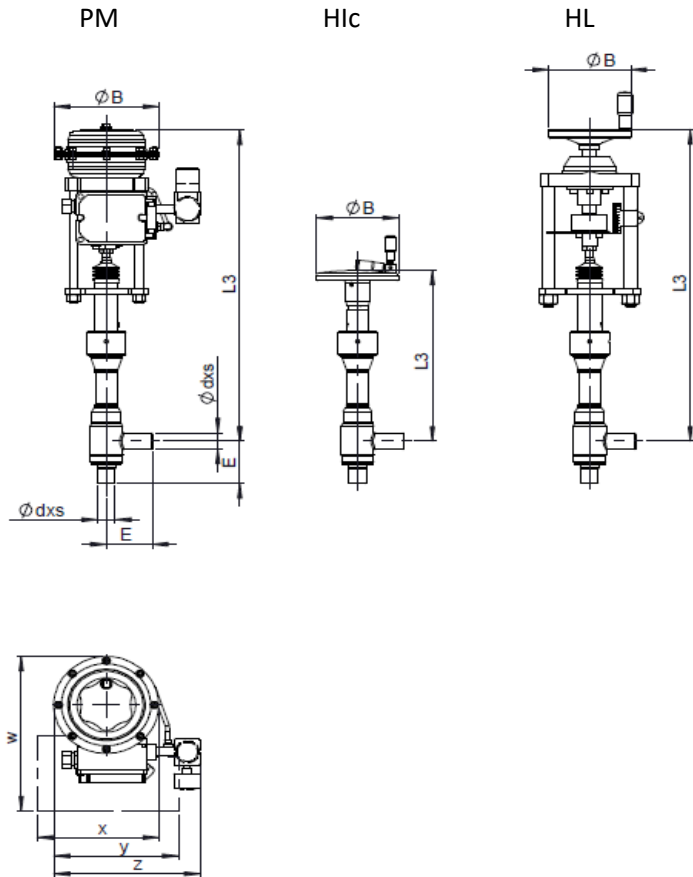
**Standard bellow sealed cryogenic valves PN25
with pneumatic or manual actuator**



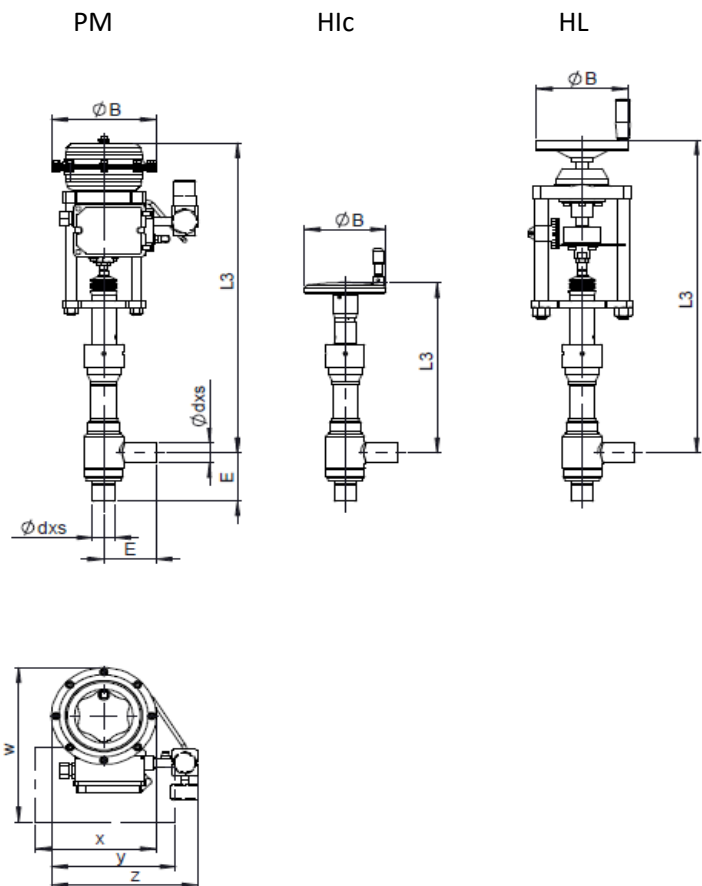
Valve size		DN15				
Nominal DN:	DN15 (1/2")					
Nominal pressure:	PN25					
Design temperature:	-30°C to +50°C					
Kv min (Cv min):	0.028 (0.032)					
Kv max (Cv max) as control valve:	5.80 (6.73)					
Kv max (Cv max) as Shut/Off-valve:	6.00 (6.96)					
Dimension performance:						
Vacuum weld in flange øa1 [mm]:	-					
Butt weld end, ødxs [mm]:	21.3x2.0					
Connection dimension E [mm]:	50					
Standard cryogenic length h [mm]:	-					
Heat load 300 to 4.2K @ indicated length h [W]:	-					
Mass to cool down (h=650) [kg]:	-					
Actuator:						
	PM - Po		PM - Ps		H1c	HL
Valve shut-off pressure [≤bar]:	10	25	10	25	25	25
øB [mm]:	160				100	100
L3 (valve with open manual actuator) [mm]:	438				218	448
Total weight [kg]:	7.2				2.8	7.3
Supply air:	6.0 bar, G1/4"				-	-
Minimum liter of air supply per travel (NTP):	1.8				-	-
Maximum dimensions with SIEMENS or SAMSON positioner						
w [mm]:	255				-	-
x [mm]:	185				-	-
y [mm]:	190				-	-
z [mm]:	255				-	-
Additional weight [kg]:	2.5				-	-

WEKA datasheet 930219

**Standard bellow sealed cryogenic valves PN25
with pneumatic or manual actuator**



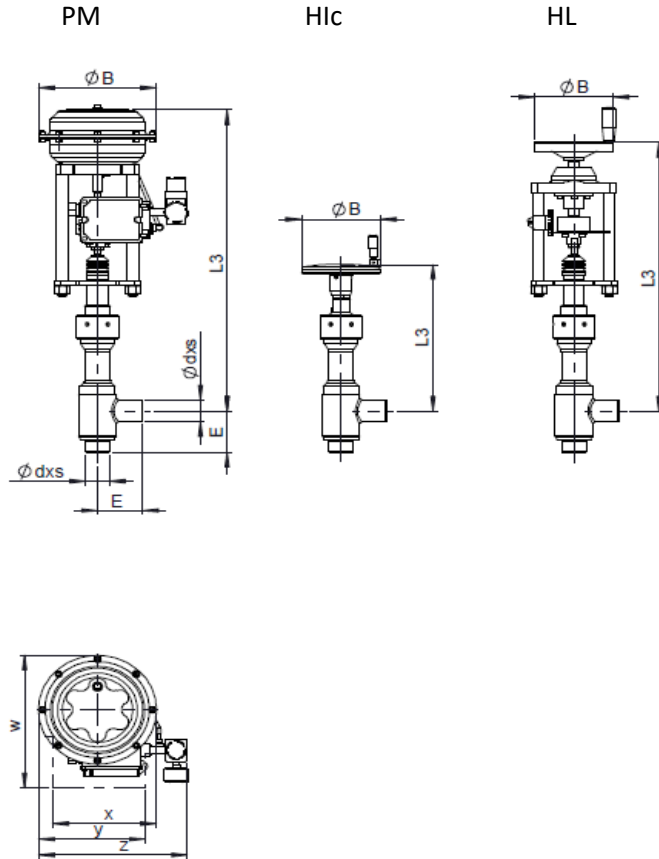
Valve size		DN20				
Nominal DN:	DN20 (3/4")					
Nominal pressure:	PN25					
Design temperature:	-30°C to +50°C					
Kv min (Cv min):	0.049 (0.057)					
Kv max (Cv max) as control valve:	11.0 (12.8)					
Kv max (Cv max) as Shut/Off-valve:	12.0 (13.9)					
Dimension performance:						
Vacuum weld in flange øa1 [mm]:	-					
Butt weld end, ødxs [mm]:	26.9x2.0					
Connection dimension E [mm]:	70					
Standard cryogenic length h [mm]:	-					
Heat load 300 to 4.2K @ indicated length h [W]:	-					
Mass to cool down (h=650) [kg]:	-					
Actuator:						
	PM - Po		PM - Ps		H1c	HL
Valve shut-off pressure [≤bar]:	10	25	10	25	25	25
øB [mm]:	160				125	125
L3 (valve with open manual actuator) [mm]:	514				298	532
Total weight [kg]:	8.1				4.1	9.1
Supply air:	6.0 bar, G1/4"				-	-
Minimum liter of air supply per travel (NTP):	1.8				-	-
Maximum dimensions with SIEMENS or SAMSON positioner						
w [mm]:	255				-	-
x [mm]:	185				-	-
y [mm]:	190				-	-
z [mm]:	255				-	-
Additional weight [kg]:	2.5				-	-

WEKA datasheet 930219
**Standard bellow sealed cryogenic valves PN25
with pneumatic or manual actuator**


Valve size		DN25				
Nominal DN:	DN25 (1")					
Nominal pressure:	PN25					
Design temperature:	-30°C to +50°C					
Kv min (Cv min):	0.049 (0.057)					
Kv max (Cv max) as control valve:	14.7 (17.1)					
Kv max (Cv max) as Shut/Off-valve:	15.0 (17.4)					
Dimension performance:						
Vacuum weld in flange øa1 [mm]:	-					
Butt weld end, ødxs [mm]:	33.7x2.0					
Connection dimension E [mm]:	80					
Standard cryogenic length h [mm]:	-					
Heat load 300 to 4.2K @ indicated length h [W]:	-					
Mass to cool down (h=650) [kg]:	-					
Actuator:						
	PM - Po		PM - Ps		H1c	HL
Valve shut-off pressure [\leq bar]:	10	25	10	25	25	25
øB [mm]:	160				125	140
L3 (valve with open manual actuator) [mm]:	513				297	534
Total weight [kg]:	8.6				4.6	9.2
Supply air:	6.0 bar, G1/4"				-	-
Minimum liter of air supply per travel (NTP):	1.8				-	-
Maximum dimensions with SIEMENS or SAMSON positioner						
w [mm]:	255				-	-
x [mm]:	185				-	-
y [mm]:	190				-	-
z [mm]:	255				-	-
Additional weight [kg]:	2.5				-	-

WEKA datasheet 930219

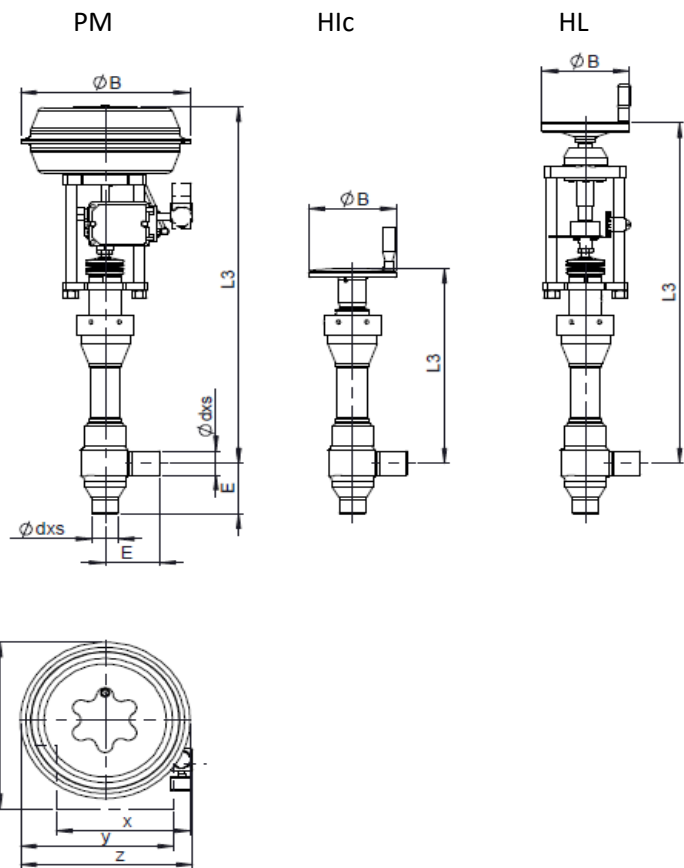
**Standard bellow sealed cryogenic valves PN25
with pneumatic or manual actuator**



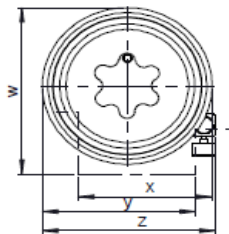
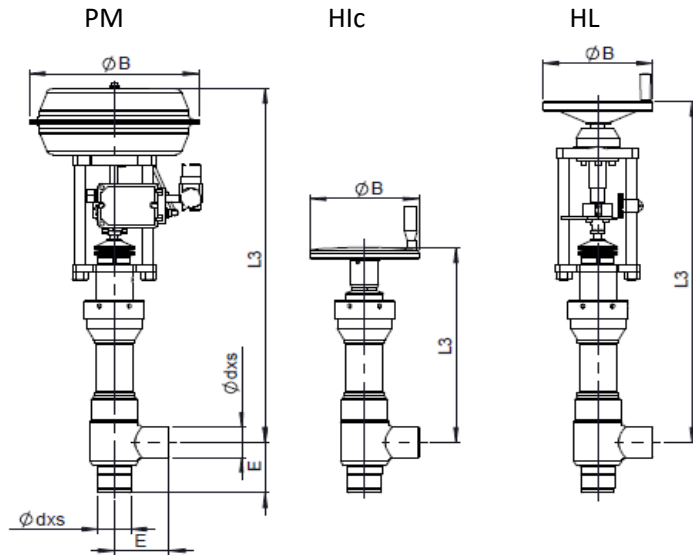
Valve size		DN32				
Nominal DN:	DN32 (1 1/4")					
Nominal pressure:	PN25					
Design temperature:	-30°C to +50°C					
Kv min (Cv min):	0.073 (0.085)					
Kv max (Cv max) as control valve:	23.0 (26.7)					
Kv max (Cv max) as Shut/Off-valve:	23.5 (27.3)					
Dimension performance:						
Vacuum weld in flange øa1 [mm]:	-					
Butt weld end, ødxs [mm]:	42.4x2.0					
Connection dimension E [mm]:	80					
Standard cryogenic length h [mm]:	-					
Heat load 300 to 4.2K @ indicated length h [W]:	-					
Mass to cool down (h=875) [kg]:	-					
Actuator:						
	PM - Po		PM - Ps		H1c	HL
Valve shut-off pressure [≤bar]:	10	25	10	25	25	25
øB [mm]:	160	210	160	210	140	140
L3 (valve with open manual actuator) [mm]:	513	580	513	580	298	534
Total weight [kg]:	10.1	11.1	10.1	11.1	6.4	10.7
Supply air:	6.0 bar, G1/4"				-	-
Minimum liter of air supply per travel (NTP):	1.8	3.9	1.8	3.9	-	-
Maximum dimensions with SIEMENS or SAMSON positioner						
w [mm]:	255	280	255	280	-	-
x [mm]:	185	195	185	195	-	-
y [mm]:	190	230	190	230	-	-
z [mm]:	255	295	255	295	-	-
Additional weight [kg]:	2.5				-	-

WEKA datasheet 930219

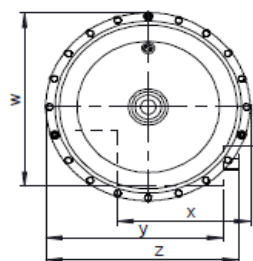
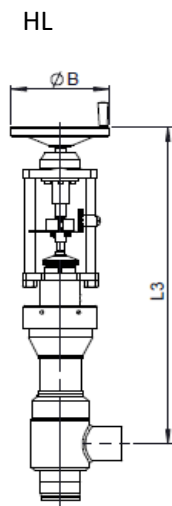
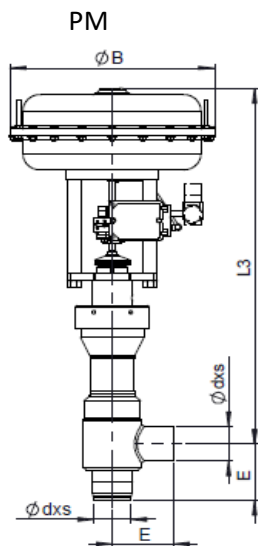
**Standard bellow sealed cryogenic valves PN25
with pneumatic or manual actuator**



Valve size		DN40					
Nominal DN:	DN40 (1 1/2")						
Nominal pressure:	PN25						
Design temperature:	-30°C to +50°C						
Kv min (Cv min):	0.13 (0.15)						
Kv max (Cv max) as control valve:	49.0 (56.8)						
Kv max (Cv max) as Shut/Off-valve:	50.0 (58.0)						
Dimension performance:							
Vacuum weld in flange øa1 [mm]:	-						
Butt weld end, ødxs [mm]:	48.3x2.0						
Connection dimension E [mm]:	100						
Standard cryogenic length h [mm]:	-						
Heat load 300 to 4.2K @ indicated length h [W]:	-						
Mass to cool down (h=875) [kg]:	-						
Actuator:							
	PM - Po		PM - Ps		H1c	HL	
Valve shut-off pressure [\leq bar]:	10	25	10	25	25	25	
øB [mm]:	210	310	210	310	160	160	
L3 (valve with open manual actuator) [mm]:	686	706	686	706	418	707	
Total weight [kg]:	18.2	21.1	18.2	21.1	14.9	19.8	
Supply air:	6.0 bar, G1/4"				-	-	
Minimum liter of air supply per travel (NTP):	7.5	14.5	7.5	14.5	-	-	
Maximum dimensions with SIEMENS or SAMSON positioner							
w [mm]:	280	330	280	330	-	-	
x [mm]:	195	245	195	245	-	-	
y [mm]:	230	280	230	280	-	-	
z [mm]:	295	345	295	345	-	-	
Additional weight [kg]:	2.5				-	-	

WEKA datasheet 930219
**Standard bellows sealed cryogenic valves PN25
with pneumatic or manual actuator**


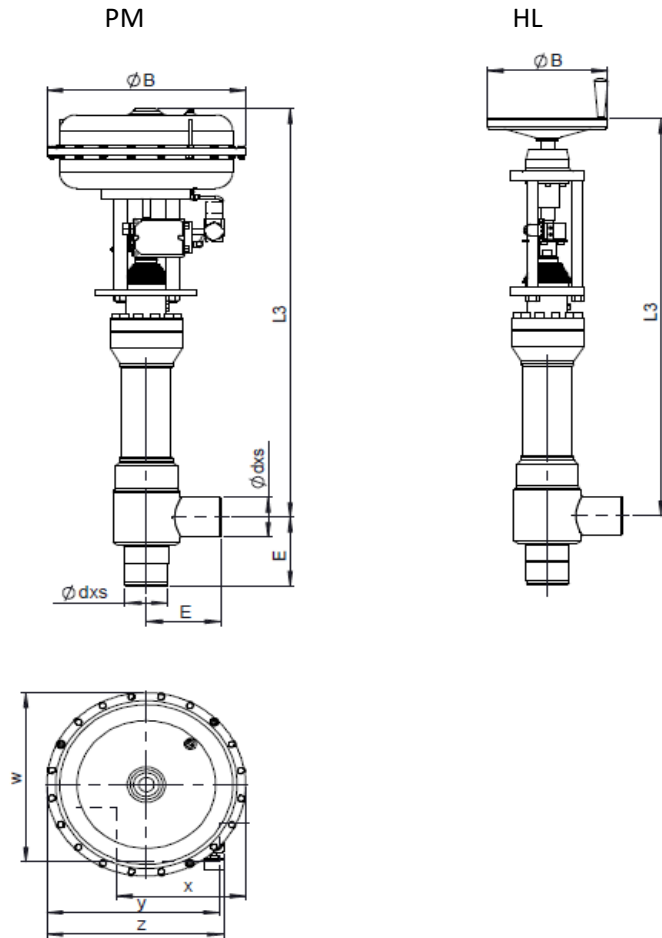
Valve size		DN50				
Nominal DN:	DN50 (2")					
Nominal pressure:	PN25					
Design temperature:	-30°C to +50°C					
Kv min (Cv min):	0.14 (0.16)					
Kv max (Cv max) as control valve:	71.0 (82.4)					
Kv max (Cv max) as Shut/Off-valve:	75.0 (87.0)					
Dimension performance:						
Vacuum weld in flange øa1 [mm]:	-					
Butt weld end, ødxs [mm]:	60.3x2.0					
Connection dimension E [mm]:	100					
Standard cryogenic length h [mm]:	-					
Heat load 300 to 4.2K @ indicated length h [W]:	-					
Mass to cool down (h=875) [kg]:	-					
Actuator:						
	PM - Po		PM - Ps		H1c	HL
Valve shut-off pressure [\leq bar]:	10	25	10	25	25	25
øB [mm]:	310	310	210	310	200	200
L3 (valve with open manual actuator) [mm]:	702	702	682	702	418	709
Total weight [kg]:	21.6	21.6	18.7	21.6	16.4	20.0
Supply air:	6.0 bar, G1/4"				-	-
Minimum liter of air supply per travel (NTP):	14.5	14.5	7.5	14.5	-	-
Maximum dimensions with SIEMENS or SAMSON positioner						
w [mm]:	330	330	280	330	-	-
x [mm]:	245	245	195	245	-	-
y [mm]:	280	280	230	280	-	-
z [mm]:	345	345	295	345	-	-
Additional weight [kg]:	2.5				-	-

WEKA datasheet 930219
**Standard bellow sealed cryogenic valves PN25
with pneumatic or manual actuator**


Valve size		DN65				
Nominal DN:	DN65 (2 1/2")					
Nominal pressure:	PN25					
Design temperature:	-30°C to +50°C					
Kv min (Cv min):	0.18 (0.21)					
Kv max (Cv max) as control valve:	98 (114)					
Kv max (Cv max) as Shut/Off-valve:	100 (116)					
Dimension performance:						
Vacuum weld in flange $\phi a1$ [mm]:	-					
Butt weld end, ϕdxs [mm]:	76.1x2.0					
Connection dimension E [mm]:	125					
Standard cryogenic length h [mm]:	-					
Heat load 300 to 4.2K @ indicated length h [W]:	-					
Mass to cool down (h=875) [kg]:	-					
Actuator:						
	PM - Po		PM - Ps		HLc	HL
Valve shut-off pressure [\leq bar]:	10	25	10	25	-	25
ϕB [mm]:	310	420	310	420	-	200
L3 (valve with open manual actuator) [mm]:	724	784	724	784	-	731
Total weight [kg]:	33.8	76.4	33.8	76.4	-	32.3
Supply air:	6.0 bar, G1/4"				-	-
Minimum liter of air supply per travel (NTP):	14.5	31.5	14.5	31.5	-	-
Maximum dimensions with SIEMENS or SAMSON positioner						
w [mm]:	330	310	330	310	-	-
x [mm]:	245	270	245	270	-	-
y [mm]:	280	360	280	360	-	-
z [mm]:	345	425	345	425	-	-
Additional weight [kg]:	2.5				-	-

WEKA datasheet 930219

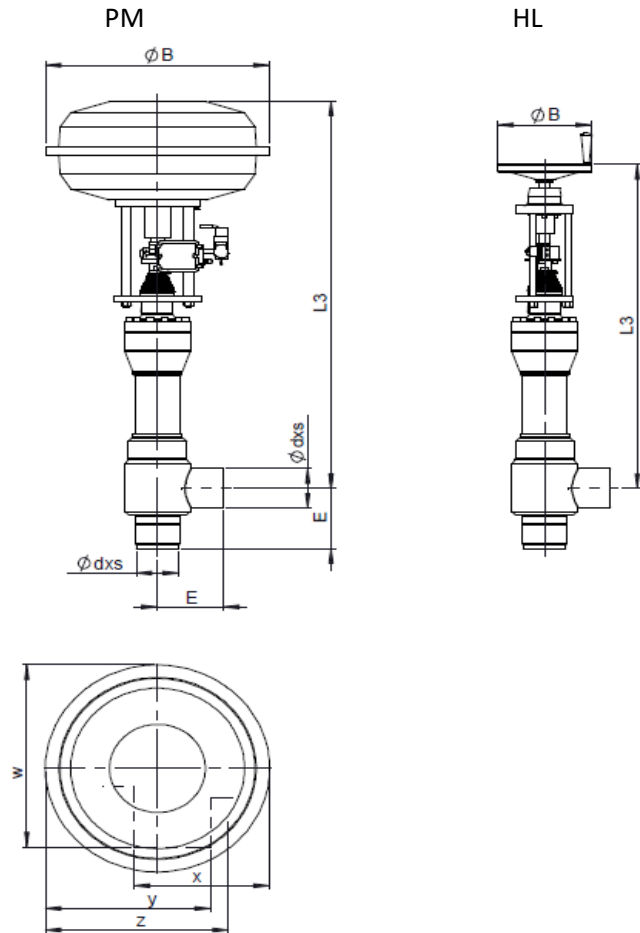
**Standard bellow sealed cryogenic valves PN25
with pneumatic or manual actuator**



Valve size		DN80				
Nominal DN:	DN80 (3")					
Nominal pressure:	PN25					
Design temperature:	-30°C to +50°C					
Kv min (Cv min):	0.25 (0.29)					
Kv max (Cv max) as control valve:	160 (186)					
Kv max (Cv max) as Shut/Off-valve:	170 (197)					
Dimension performance:						
Vacuum weld in flange øa1 [mm]:	-					
Butt weld end, ødxs [mm]:	88.9x2.6					
Connection dimension E [mm]:	155					
Standard cryogenic length h [mm]:	-					
Heat load 300 to 4.2K @ indicated length h [W]:	-					
Mass to cool down (h=875) [kg]:	-					
Actuator:						
	PM - Po		PM - Ps		HLc	HL
Valve shut-off pressure [\leq bar]:	10	25	10	25	-	25
øB [mm]:	310	420	310	420	-	250
L3 (valve with open manual actuator) [mm]:	864	924	864	924	-	934
Total weight [kg]:	42.0	89.5	42.0	89.5	-	46.7
Supply air:	6.0 bar, G1/4"				-	-
Minimum liter of air supply per travel (NTP):	14.5	31.5	14.5	31.5	-	-
Maximum dimensions with SIEMENS or SAMSON positioner						
w [mm]:	330	435	330	435	-	-
x [mm]:	245	300	245	300	-	-
y [mm]:	280	335	280	335	-	-
z [mm]:	345	400	345	400	-	-
Additional weight [kg]:	3.0				-	-

WEKA datasheet 930219

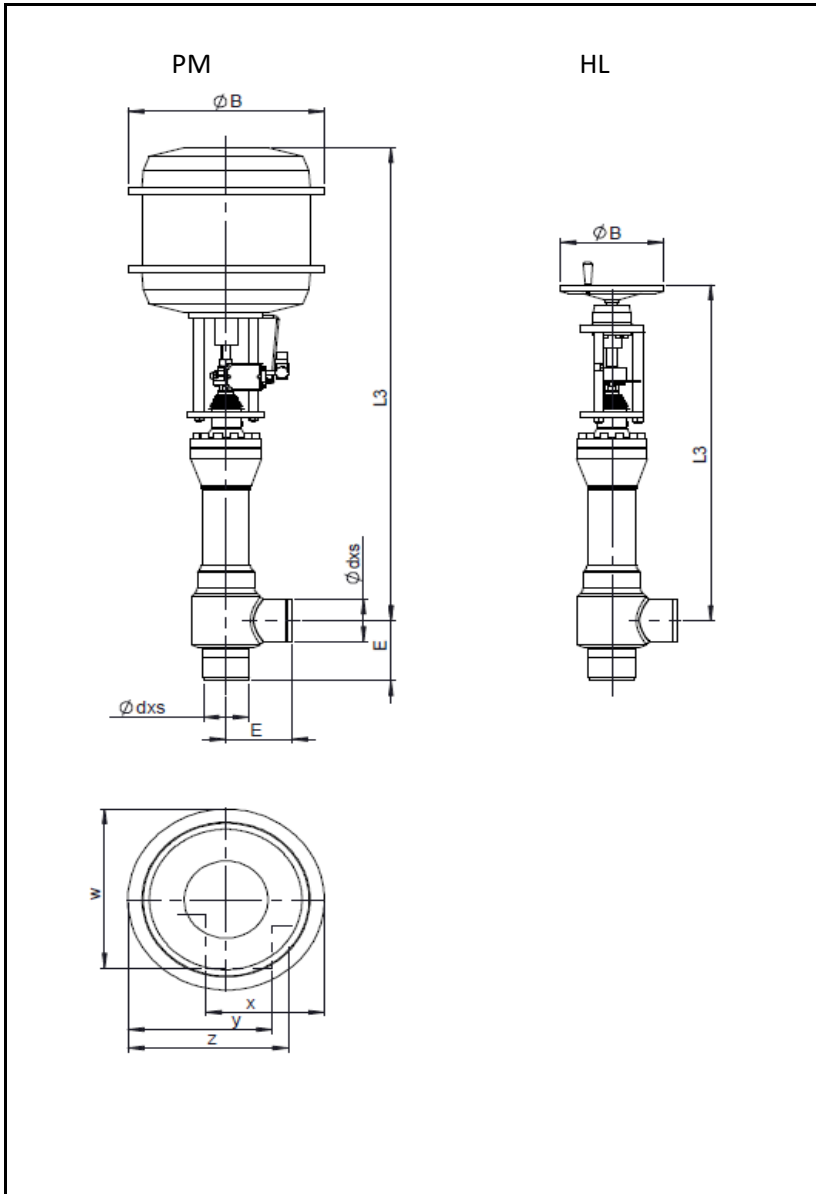
**Standard bellow sealed cryogenic valves PN25
with pneumatic or manual actuator**



Valve size		DN100				
Nominal DN:	DN100 (4")					
Nominal pressure:	PN25					
Design temperature:	-30°C to +50°C					
Kv min (Cv min):	0.36 (0.42)					
Kv max (Cv max) as control valve:	250 (290)					
Kv max (Cv max) as Shut/Off-valve:	260 (302)					
Dimension performance:						
Vacuum weld in flange øa1 [mm]:	-					
Butt weld end, ødxs [mm]:	114.3x2.6					
Connection dimension E [mm]:	175					
Standard cryogenic length h [mm]:	-					
Heat load 300 to 4.2K @ indicated length h [W]:	-					
Mass to cool down (h=1000) [kg]:	-					
Actuator:						
	PM - Po		PM - Ps		Hlc	HL
Valve shut-off pressure [\leq bar]:	10	25	10	25	-	25
øB [mm]:	420	600	420	600	-	250
L3 (valve with open manual actuator) [mm]:	980	1118	980	1118	-	986
Total weight [kg]:	68.6	222.2	68.6	222.2	-	65.3
Supply air 6 bar:	G1/4"	G3/4"	G1/4"	G3/4"	-	-
Minimum liter of air supply per travel (NTP):	47.0	102.0	47.0	102.0	-	-
Maximum dimensions with SIEMENS or SAMSON positioner						
w [mm]:	435	525	435	525	-	-
x [mm]:	300	365	300	365	-	-
y [mm]:	335	440	335	440	-	-
z [mm]:	400	520	400	520	-	-
Additional weight [kg]:	3.0				-	-

WEKA datasheet 930219

**Standard bellow sealed cryogenic valves PN25
with pneumatic or manual actuator**



Valve size		DN125				
Nominal DN:	DN125 (5")					
Nominal pressure:	PN25					
Design temperature:	-30°C to +50°C					
Kv min (Cv min):	0.45 (0.52)					
Kv max (Cv max) as control valve:	370 (429)					
Kv max (Cv max) as Shut/Off-valve:	390 (452)					
Dimension performance:						
Vacuum weld in flange $\phi a1$ [mm]:	-					
Butt weld end, ϕdxs [mm]:	139.7x2.6					
Connection dimension E [mm]:	200					
Standard cryogenic length h [mm]:	-					
Heat load 300 to 4.2K @ indicated length h [W]:	-					
Mass to cool down (h=1000) [kg]:	-					
Actuator:						
	PM - Po		PM - Ps		HLc	HL
Valve shut-off pressure [\leq bar]:	10	25	10	25	-	25
ϕB [mm]:	420	600	420	600	-	315
L3 (valve with open manual actuator) [mm]:	1304	1562	1304	1431	-	1174
Total weight [kg]:	164.2	324.8	164.2	281.5	-	108.7
Supply air 6 bar:	G1/4"	G3/4"	G1/4"	G3/4"	-	-
Minimum liter of air supply per travel (NTP):	60.0	153.0	60.0	126.0	-	-
Maximum dimensions with SIEMENS or SAMSON positioner						
w [mm]:	435	525	435	525	-	-
x [mm]:	300	365	300	365	-	-
y [mm]:	335	440	335	440	-	-
z [mm]:	400	520	400	520	-	-
Additional weight [kg]:	3.0				-	-



WEKA AG · Switzerland

Schürlistrasse 8 · CH-8344 Bäretswil · Phone +41 43 833 43 43 · info@weka-ag.ch · www.weka-ag.ch

WEKA datasheet 930219

**Standard bellow sealed cryogenic valves PN25
with pneumatic or manual actuator**

PM	HL	Valve size				DN150		
		Nominal DN:	DN150 (6")					
		Nominal pressure:	PN25					
		Design temperature:	-30°C to +50°C					
		Kv min (Cv min):	0.60 (0.70)					
		Kv max (Cv max) as control valve:	550 (638)					
		Kv max (Cv max) as Shut/Off-valve:	600 (696)					
		Dimension performance:						
		Vacuum weld in flange $\varnothing a1$ [mm]:	-					
		Butt weld end, $\varnothing dxs$ [mm]:	168.3x2.6					
		Connection dimension E [mm]:	250					
		Standard cryogenic length h [mm]:	-					
		Heat load 300 to 4.2K @ indicated length h [W]:	-					
		Mass to cool down (h=1000) [kg]:	-					
		Actuator:						
			PM - Po		PM - Ps		HLc	HL
		Valve shut-off pressure [\leq bar]:	10	20	10	20	-	25
		$\varnothing B$ [mm]:	600	600	600	600	-	400
		L3 (valve with open manual actuator) [mm]:	tba	tba	tba	tba	-	tba
		Total weight [kg]:	tba	tba	tba	tba	-	tba
		Supply air:	6.0 bar, G3/4"				-	-
		Minimum liter of air supply per travel (NTP):	126.0	180.0	126.0	126.0	-	-
		Maximum dimensions with SIEMENS or SAMSON positioner						
		w [mm]:	525	525	525	525	-	-
		x [mm]:	365	365	365	365	-	-
		y [mm]:	440	440	440	440	-	-
		z [mm]:	520	520	520	520	-	-
		Additional weight [kg]:	3.0				-	-